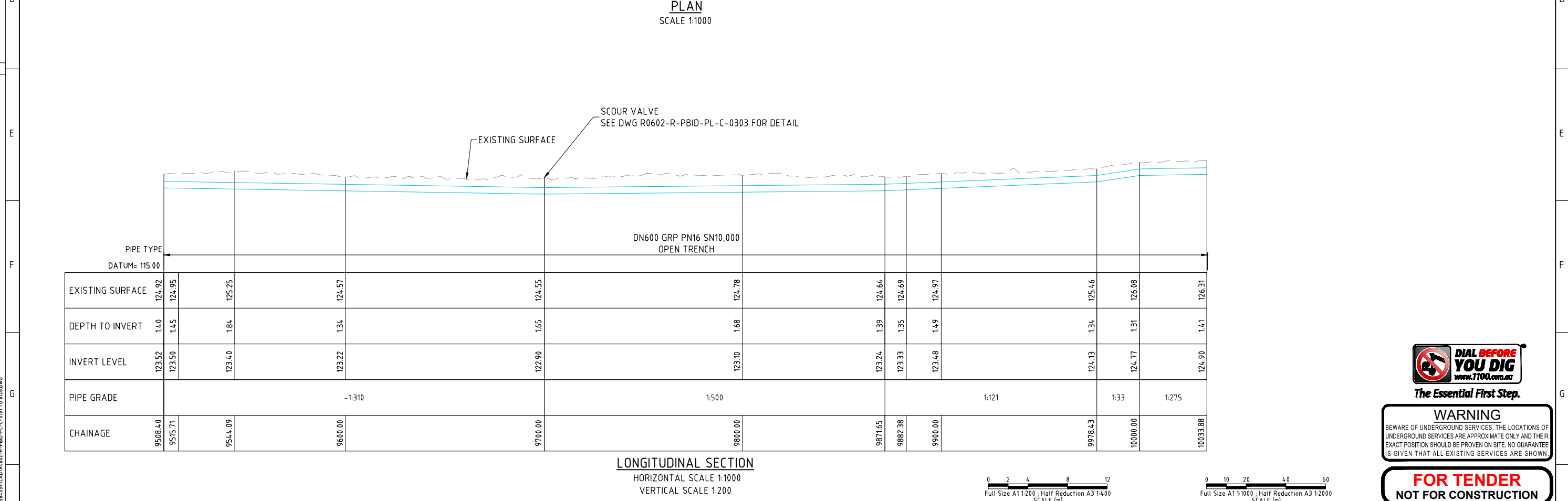


- NOTES:**
- REFER TO DRAWING R0602-R-PBID-PL-G-0002 FOR DRAWING LIST AND LEGEND.
 - REFER TO DRAWING R0602-R-PBID-PL-G-0003 FOR GENERAL NOTES AND SCHEDULES.



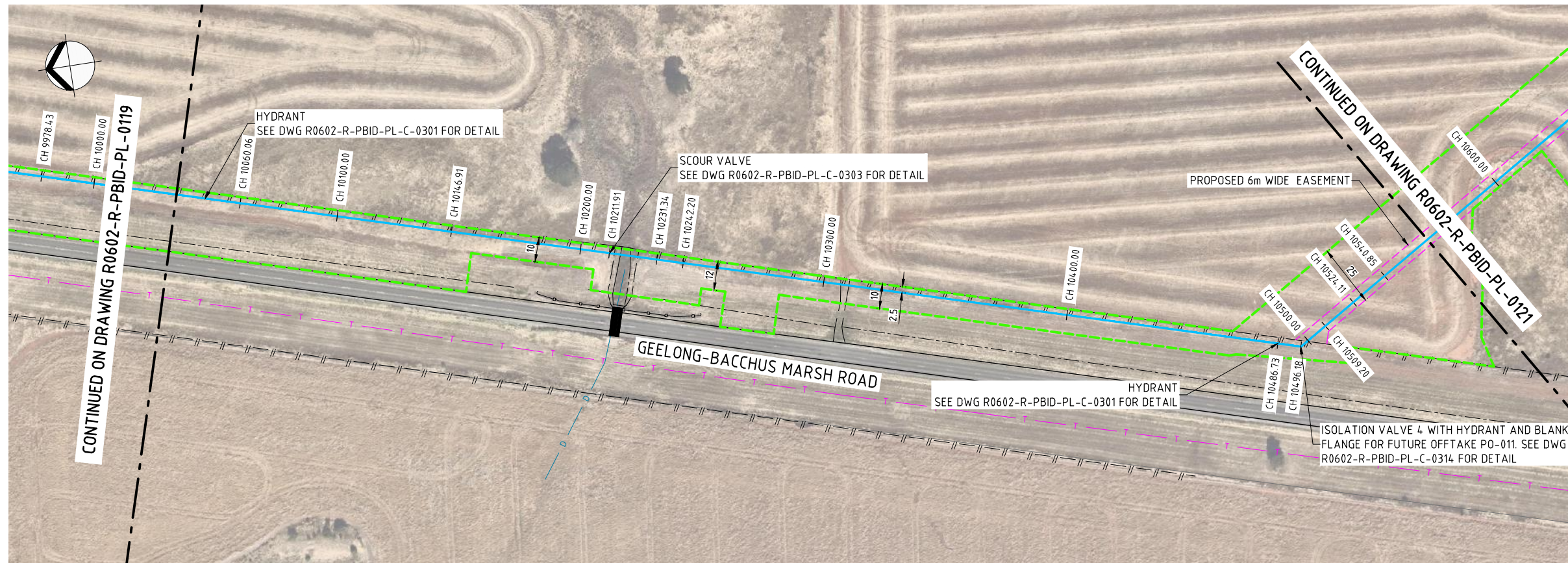
WARNING
BEWARE OF UNDERGROUND SERVICES. THE LOCATIONS OF UNDERGROUND SERVICES ARE APPROXIMATE ONLY AND THEIR EXACT POSITION SHOULD BE PROVEN ON SITE. NO GUARANTEE IS GIVEN THAT ALL EXISTING SERVICES ARE SHOWN

FOR TENDER
NOT FOR CONSTRUCTION

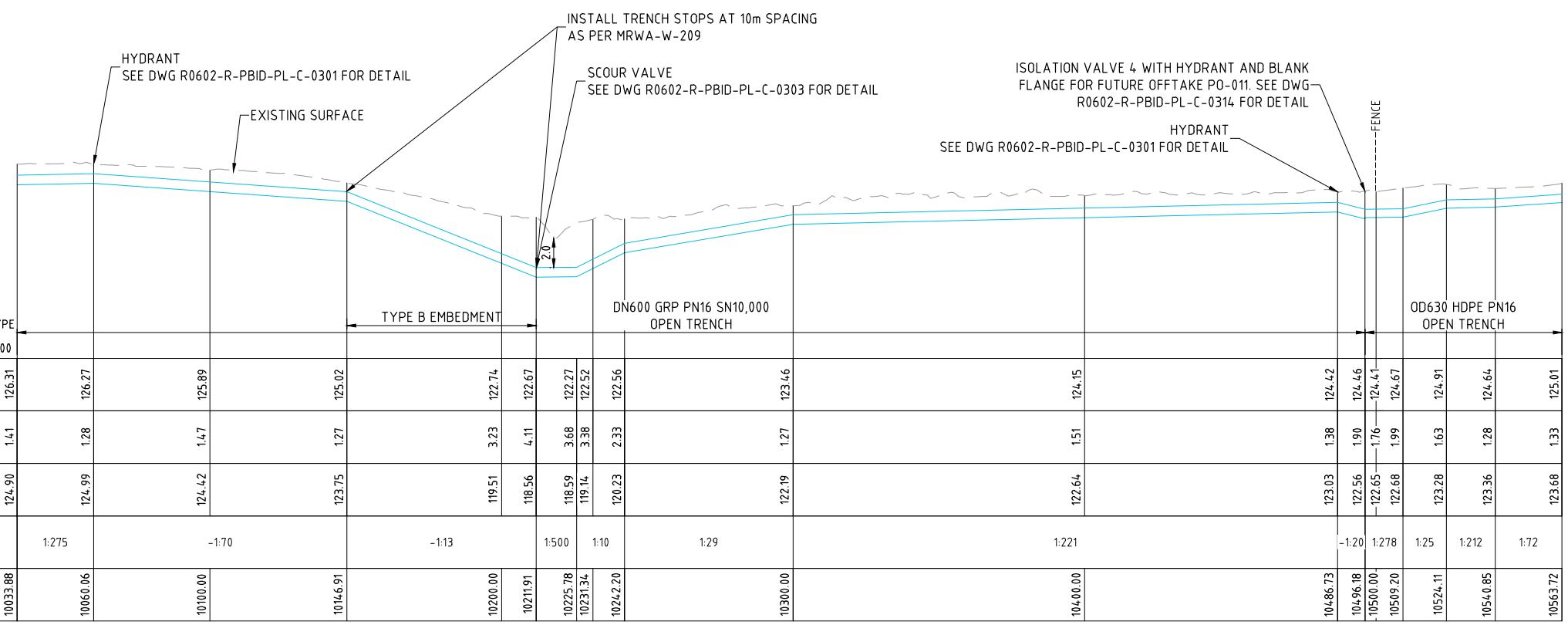
DESIGNED		DRAWN				PARWAN TO BALLIANG IRRIGATION DISTRICT PIPELINE PLAN AND LONGITUDINAL SECTION SHEET 19		PLAN TYPE: CIVIL		
CD		JB						SCALE: AS SHOWN		
DESIGN CHECK		DRAFT CHECK						DRAWING NUMBER		
LS		AGS						R0602-R-PBID-PL-C-0119		
APPROVED								NUMERAL		
DAP								T0		
TO	ISSUE FOR TENDER	25.03.21	DAP					REV		
REV	ZONE	DESCRIPTION	DATE	APP'D						



CAD FILE NAME: \\BECA.NET\PROJECTS\6584\6584\39\CAD\R0602-R-PBID-PL-C-0119 TO 0126.DWG



- NOTES:**
- REFER TO DRAWING R0602-R-PBID-PL-G-0002 FOR DRAWING LIST AND LEGEND.
 - REFER TO DRAWING R0602-R-PBID-PL-G-0003 FOR GENERAL NOTES AND SCHEDULES.



PIPE TYPE	TYPE B EMBEDMENT										DN600 GRP PN16 SN10,000 OPEN TRENCH			OD630 HDPE PN16 OPEN TRENCH				
DATUM= 113.00																		
EXISTING SURFACE	126.31	126.27	125.89	125.02	122.74	122.67	122.27	122.52	122.56	123.46	124.15	124.42	124.46	124.41	124.67	124.91	124.64	125.01
DEPTH TO INVERT	1.41	1.28	1.47	1.27	3.23	4.11	3.68	3.38	2.33	1.27	1.51	1.38	1.90	1.76	1.99	1.63	1.28	1.33
INVERT LEVEL	124.90	124.99	124.42	123.75	119.51	118.56	118.59	119.14	120.23	122.19	122.64	123.03	122.56	122.65	122.68	123.28	123.36	123.68
PIPE GRADE	1:275		-1:70		-1:13		1:500	1:10		1:29		1:221	-1:20	1:278	1:25	1:212		1:72
CHAINAGE	10033.88	10060.06	10100.00	10146.91	10200.00	10211.91	10225.78	10231.34	10242.20	10300.00	10400.00	10486.73	10496.18	10500.00	10509.20	10524.11	10540.85	10563.72



WARNING
BEWARE OF UNDERGROUND SERVICES. THE LOCATIONS OF UNDERGROUND SERVICES ARE APPROXIMATE ONLY AND THEIR EXACT POSITION SHOULD BE PROVEN ON SITE. NO GUARANTEE IS GIVEN THAT ALL EXISTING SERVICES ARE SHOWN

FOR TENDER
NOT FOR CONSTRUCTION

CAD FILE NAME: P:\6816584839\CAD\0602-R-PBID-PL-C-011 TO 0126.DWG

DESIGNED	CD	DRAWN	JB	
DESIGN CHECK	LS	DRAFT CHECK	AGS	
APPROVED	DAP			
REV	ZONE	DESCRIPTION	DATE	APP'D
T0		ISSUE FOR TENDER	25.03.21	DAP

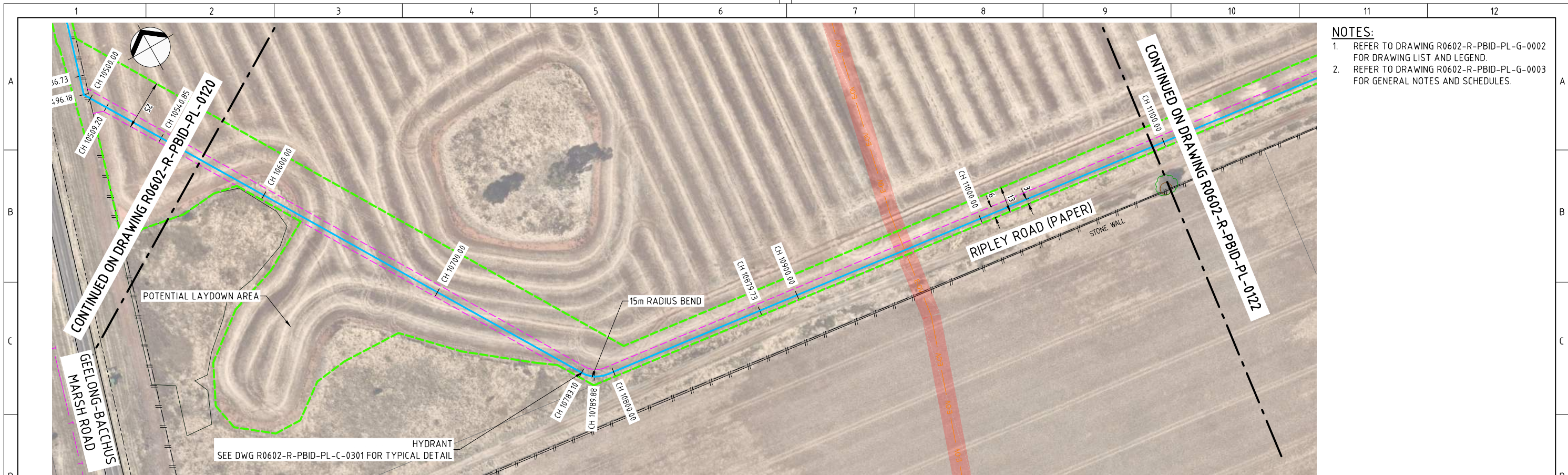


DESIGNED CD
DRAWN JB
DESIGN CHECK LS
DRAFT CHECK AGS
APPROVED DAP



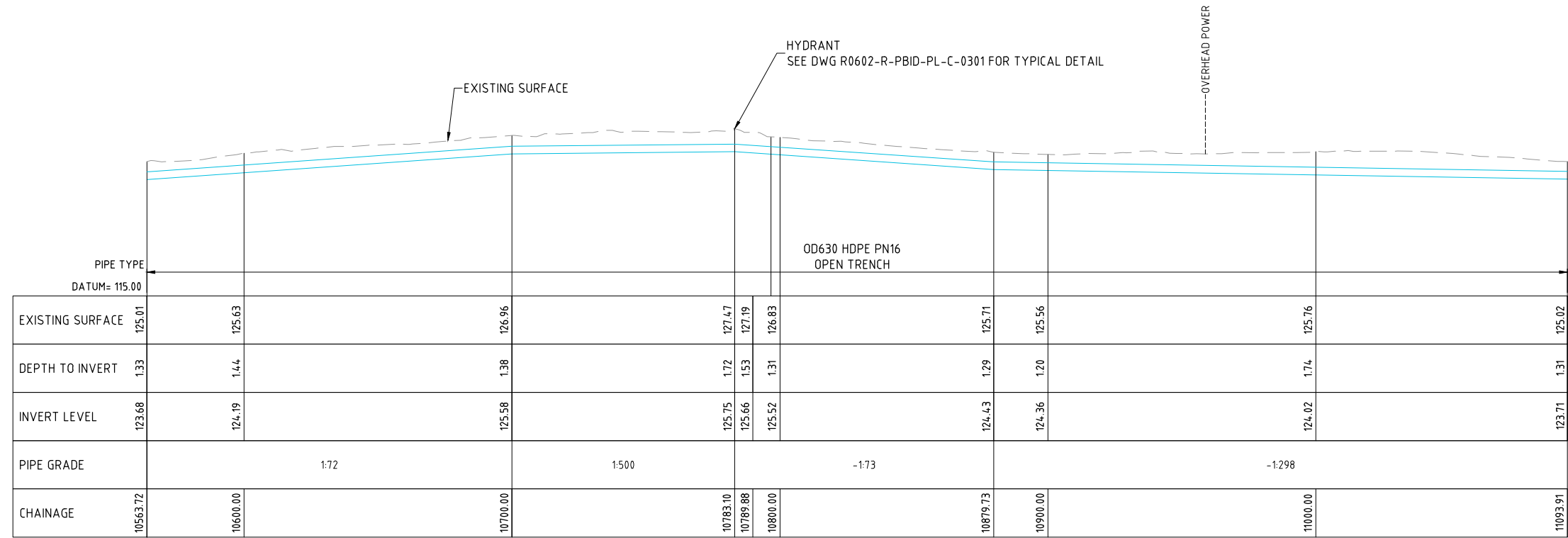
PARWAN TO BALLIANG IRRIGATION DISTRICT PIPELINE
PLAN AND LONGITUDINAL SECTION
SHEET 20

PLAN TYPE:	CIVIL
SCALE:	AS SHOWN
DRAWING NUMBER	
R0602-R-PBID-PL-C-0120	T0
NUMERAL	REV



PLAN
SCALE 1:1000

- NOTES:**
- REFER TO DRAWING R0602-R-PBID-PL-G-0002 FOR DRAWING LIST AND LEGEND.
 - REFER TO DRAWING R0602-R-PBID-PL-G-0003 FOR GENERAL NOTES AND SCHEDULES.



LONGITUDINAL SECTION
HORIZONTAL SCALE 1:1000
VERTICAL SCALE 1:200

0 2 4 8 12
Full Size A1 1:200 ; Half Reduction A3 1:400
SCALE (m)

0 10 20 40 60
Full Size A1 1:1000 ; Half Reduction A3 1:2000
SCALE (m)



WARNING
BEWARE OF UNDERGROUND SERVICES. THE LOCATIONS OF UNDERGROUND SERVICES ARE APPROXIMATE ONLY AND THEIR EXACT POSITION SHOULD BE PROVEN ON SITE. NO GUARANTEE IS GIVEN THAT ALL EXISTING SERVICES ARE SHOWN

FOR TENDER
NOT FOR CONSTRUCTION

CAD FILE NAME: \\BECA.NET\PROJECTS\6584594\39\CAD\R0602-R-PBID-PL-C-0121 TO 0126.DWG

DESIGNED	CD	DRAWN	JB	
DESIGN CHECK	LS	DRAFT CHECK	AGS	
APPROVED	DAP			
DATE	25.03.21	APP'D	DAP	
REV	ZONE	DESCRIPTION	DATE	APP'D
T0		ISSUE FOR TENDER	25.03.21	DAP

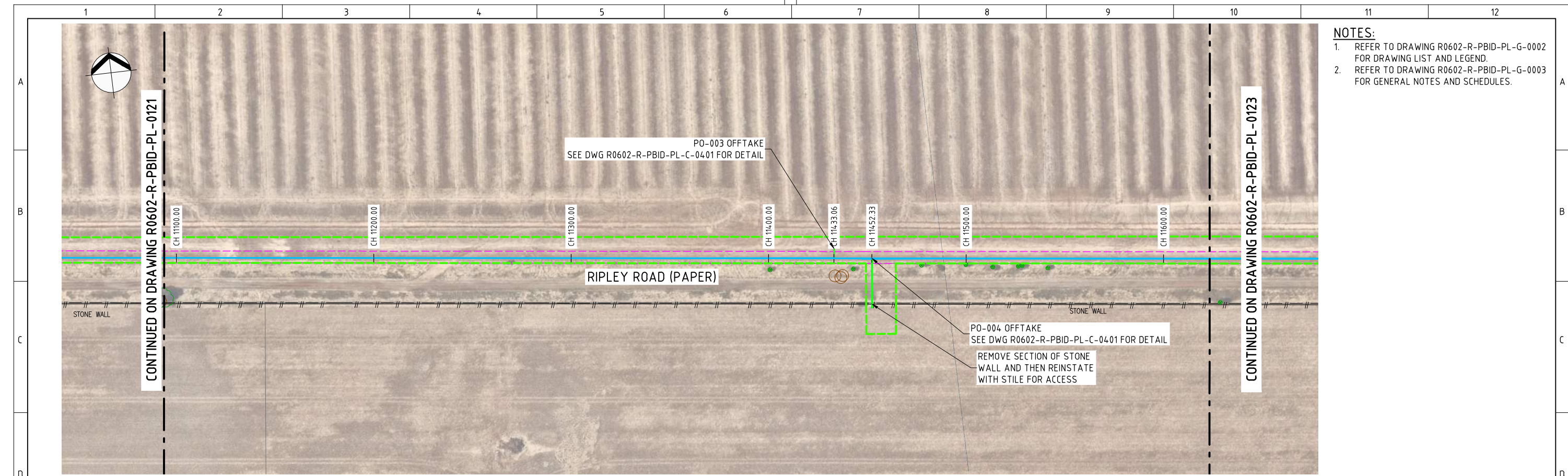


DESIGNED CD
DRAWN JB
DESIGN CHECK LS
DRAFT CHECK AGS
APPROVED DAP



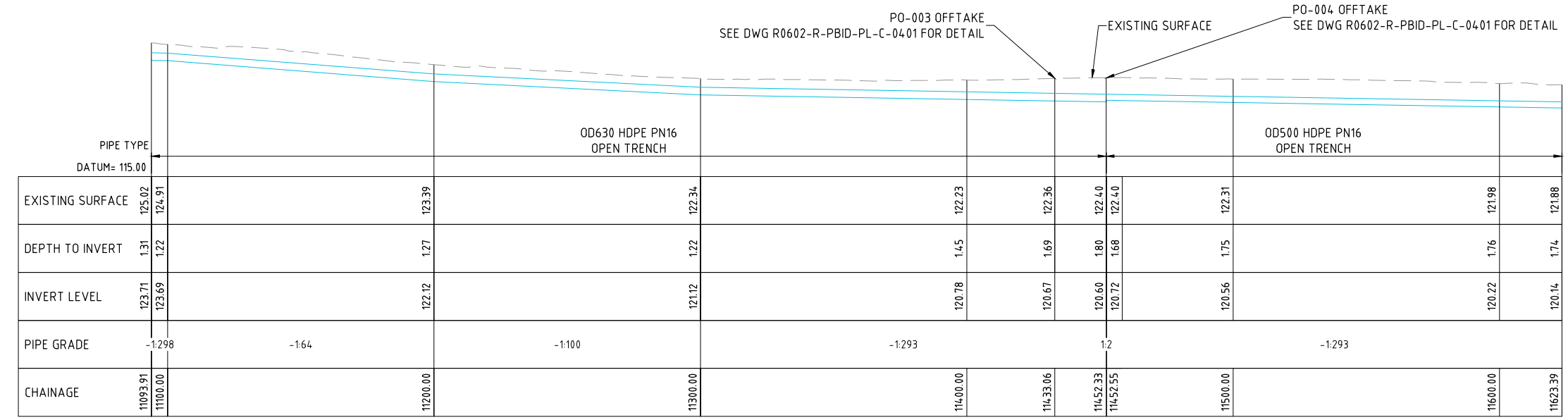
PARWAN TO BALLIANG IRRIGATION DISTRICT PIPELINE
PLAN AND LONGITUDINAL SECTION
SHEET 21

PLAN TYPE:	CIVIL
SCALE:	AS SHOWN
DRAWING NUMBER	R0602-R-PBID-PL-C-0121
NUMERAL	T0

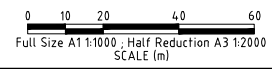
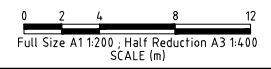


PLAN
SCALE 1:1000

- NOTES:**
- REFER TO DRAWING R0602-R-PBID-PL-G-0002 FOR DRAWING LIST AND LEGEND.
 - REFER TO DRAWING R0602-R-PBID-PL-G-0003 FOR GENERAL NOTES AND SCHEDULES.



LONGITUDINAL SECTION
HORIZONTAL SCALE 1:1000
VERTICAL SCALE 1:200



WARNING
BEWARE OF UNDERGROUND SERVICES. THE LOCATIONS OF UNDERGROUND SERVICES ARE APPROXIMATE ONLY AND THEIR EXACT POSITION SHOULD BE PROVEN ON SITE. NO GUARANTEE IS GIVEN THAT ALL EXISTING SERVICES ARE SHOWN

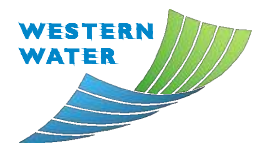
FOR TENDER
NOT FOR CONSTRUCTION

CAD FILE NAME: \\BECA.NET\PROJECTS\6584584\39\CAD\R0602-R-PBID-PL-C-0122 TO 0126.DWG

DESIGNED	CD	DRAWN	JB	
DESIGN CHECK	LS	DRAFT CHECK	AGS	
APPROVED	DAP			
REV	ZONE	DESCRIPTION	DATE	APP'D
T0		ISSUE FOR TENDER	25.03.21	DAP



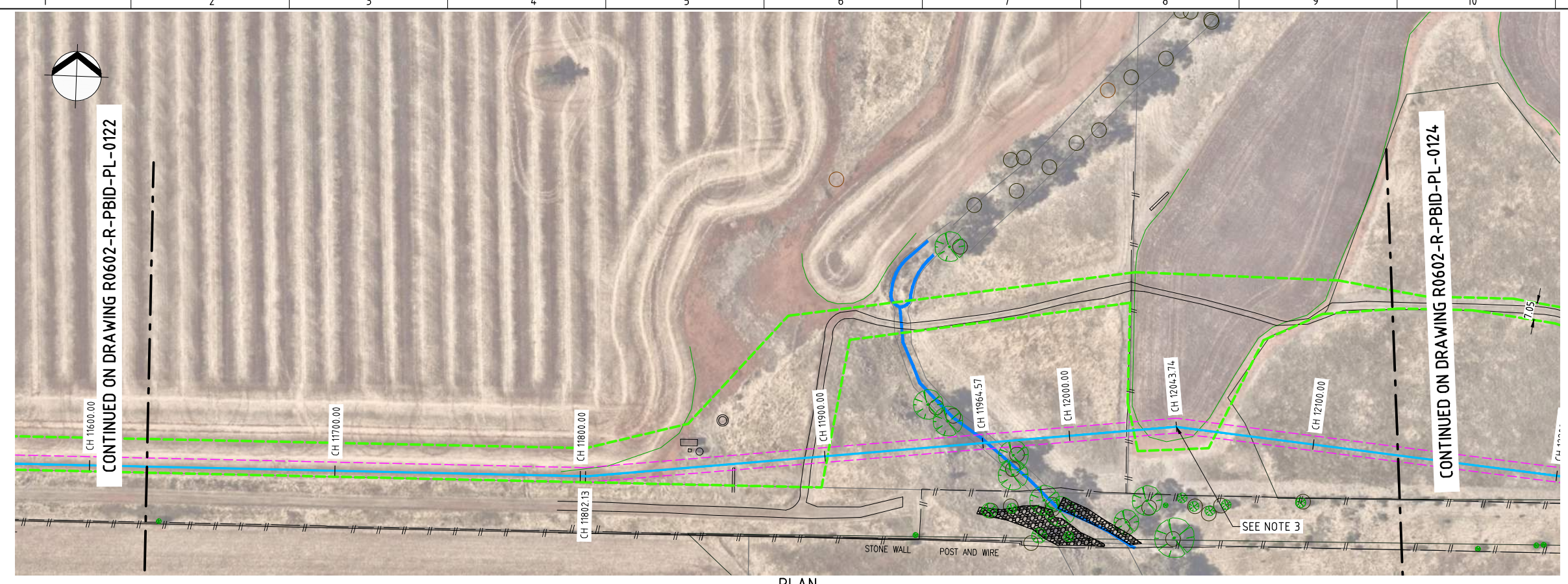
DESIGNED CD
DRAWN JB
DESIGN CHECK LS
DRAFT CHECK AGS
APPROVED DAP



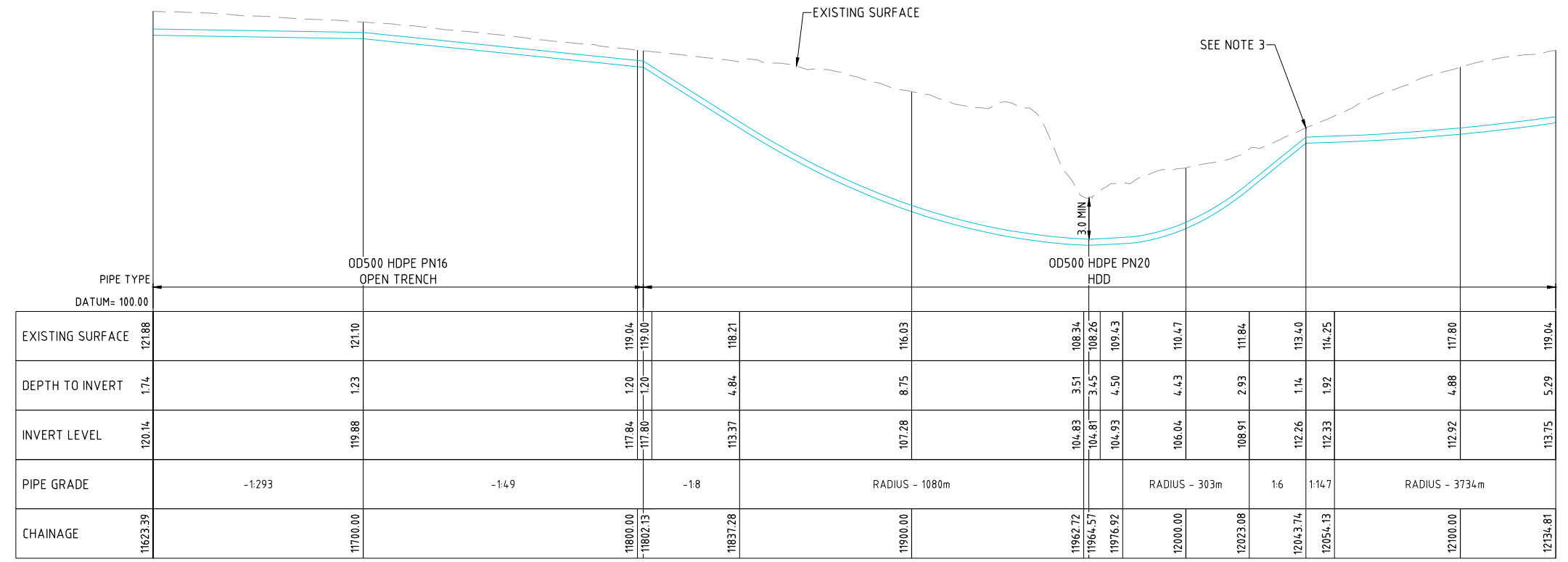
PARWAN TO BALLIANG IRRIGATION DISTRICT PIPELINE
PLAN AND LONGITUDINAL SECTION
SHEET 22

PLAN TYPE:	CIVIL
SCALE:	AS SHOWN
DRAWING NUMBER	
R0602-R-PBID-PL-C-0122	T0
NUMERAL	REV

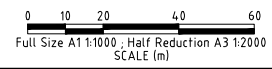
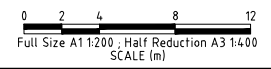
- NOTES:**
1. REFER TO DRAWING R0602-R-PBID-PL-G-0002 FOR DRAWING LIST AND LEGEND.
 2. REFER TO DRAWING R0602-R-PBID-PL-G-0003 FOR GENERAL NOTES AND SCHEDULES.
 3. TO AVOID THE NEED FOR A HYDRANT IN CROPPED AREA, CONTRACTOR TO ENSURE NO NEGATIVE PIPE GRADE THROUGH THIS SECTION.



PLAN
SCALE 1:1000



LONGITUDINAL SECTION
HORIZONTAL SCALE 1:1000
VERTICAL SCALE 1:200



WARNING
BEWARE OF UNDERGROUND SERVICES. THE LOCATIONS OF UNDERGROUND SERVICES ARE APPROXIMATE ONLY AND THEIR EXACT POSITION SHOULD BE PROVEN ON SITE. NO GUARANTEE IS GIVEN THAT ALL EXISTING SERVICES ARE SHOWN

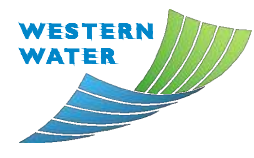
FOR TENDER
NOT FOR CONSTRUCTION

CAD FILE NAME: \\BECA.NET\PROJECTS\6584\6584\39\CAD\R0602-R-PBID-PL-C-0123 TO 0126.DWG

DESIGNED	CD	DRAWN	JB	
DESIGN CHECK	LS	DRAFT CHECK	AGS	
APPROVED	DAP			
REV	ZONE	DESCRIPTION	DATE	APP'D
T0		ISSUE FOR TENDER	25.03.21	DAP



DESIGNED CD
DRAWN JB
DESIGN CHECK LS
DRAFT CHECK AGS
APPROVED DAP



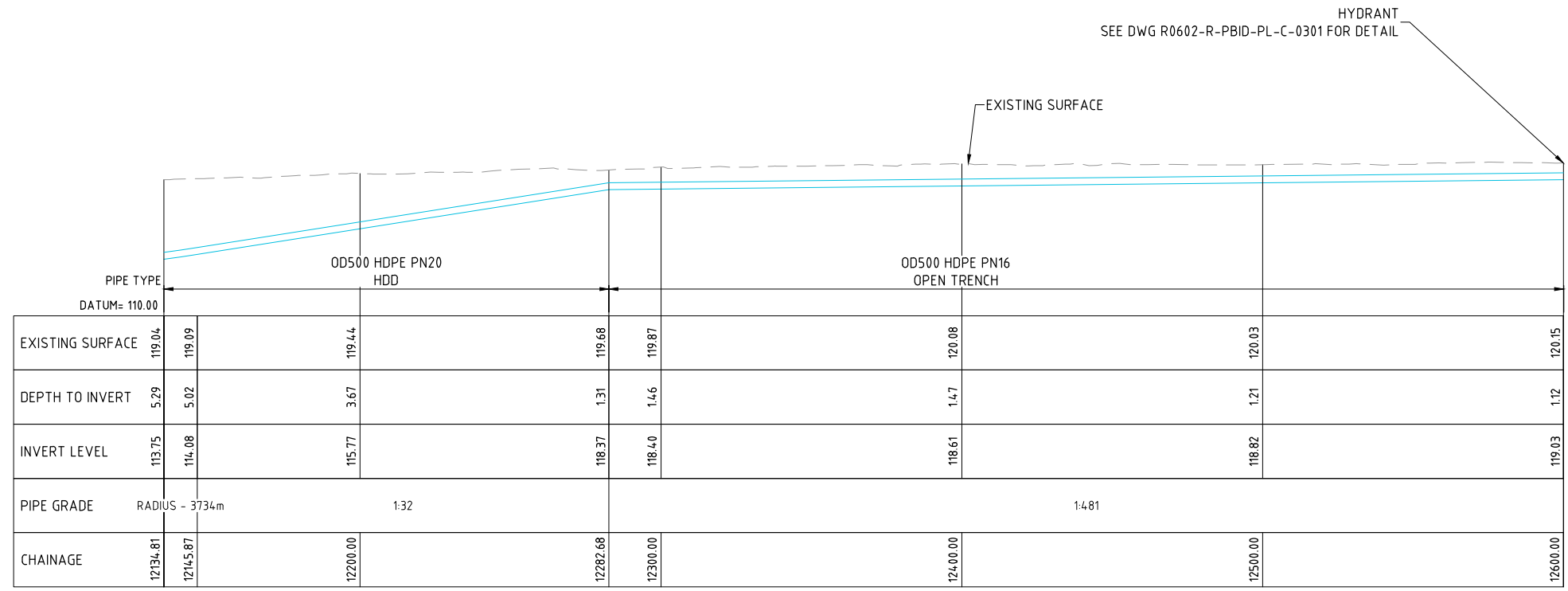
PARWAN TO BALLIANG IRRIGATION DISTRICT PIPELINE
PLAN AND LONGITUDINAL SECTION
SHEET 23

PLAN TYPE:	CIVIL
SCALE:	AS SHOWN
DRAWING NUMBER	
R0602-R-PBID-PL-C-0123	T0
NUMERAL	REV

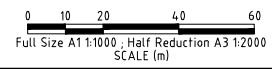
- NOTES:**
- REFER TO DRAWING R0602-R-PBID-PL-G-0002 FOR DRAWING LIST AND LEGEND.
 - REFER TO DRAWING R0602-R-PBID-PL-G-0003 FOR GENERAL NOTES AND SCHEDULES.



PLAN
SCALE 1:1000



LONGITUDINAL SECTION
HORIZONTAL SCALE 1:1000
VERTICAL SCALE 1:200



WARNING
BEWARE OF UNDERGROUND SERVICES. THE LOCATIONS OF UNDERGROUND SERVICES ARE APPROXIMATE ONLY AND THEIR EXACT POSITION SHOULD BE PROVEN ON SITE. NO GUARANTEE IS GIVEN THAT ALL EXISTING SERVICES ARE SHOWN

FOR TENDER
NOT FOR CONSTRUCTION

CAD FILE NAME: \\BECA.NET\PROJECTS\6584584\39\CAD\R0602-R-PBID-PL-C-0124.DWG

DESIGNED	CD	DRAWN	JB	
DESIGN CHECK	LS	DRAFT CHECK	AGS	
APPROVED	DAP			
REV	ZONE	DESCRIPTION	DATE	APP'D
T0		ISSUE FOR TENDER	25.03.21	DAP

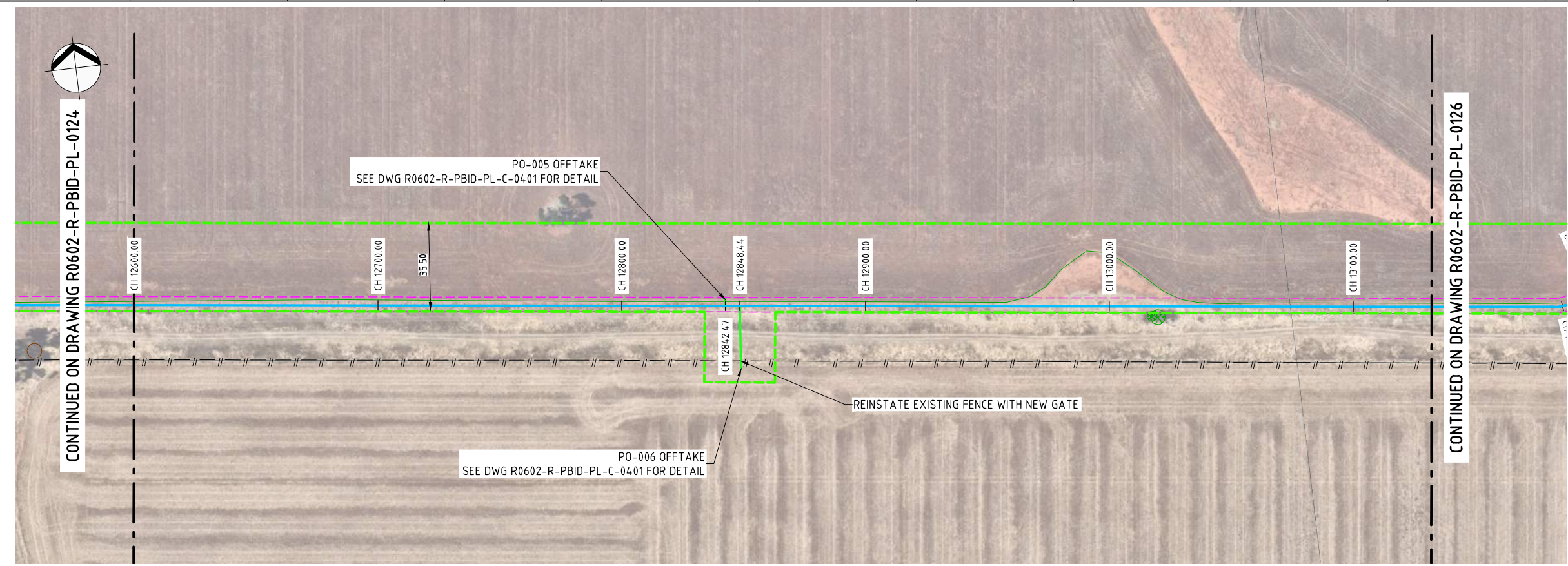


WESTERN WATER

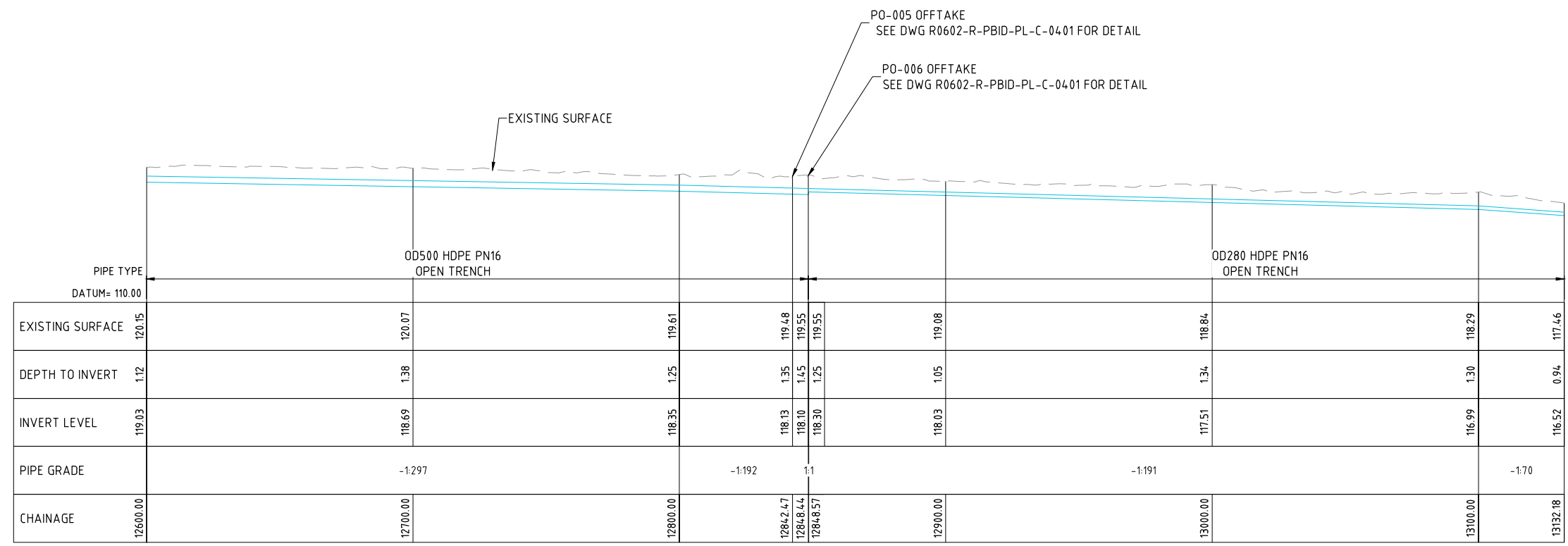
PARWAN TO BALLIANG IRRIGATION DISTRICT PIPELINE
PLAN AND LONGITUDINAL SECTION
SHEET 24

PLAN TYPE:	CIVIL
SCALE:	AS SHOWN
DRAWING NUMBER	
R0602-R-PBID-PL-C-0124	T0
NUMERAL	REV

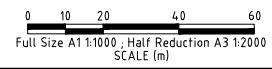
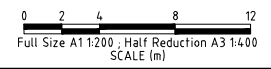
- NOTES:**
1. REFER TO DRAWING R0602-R-PBID-PL-G-0002 FOR DRAWING LIST AND LEGEND.
 2. REFER TO DRAWING R0602-R-PBID-PL-G-0003 FOR GENERAL NOTES AND SCHEDULES.



PLAN
SCALE 1:1000



LONGITUDINAL SECTION
HORIZONTAL SCALE 1:1000
VERTICAL SCALE 1:200



WARNING
BEWARE OF UNDERGROUND SERVICES. THE LOCATIONS OF UNDERGROUND SERVICES ARE APPROXIMATE ONLY AND THEIR EXACT POSITION SHOULD BE PROVEN ON SITE. NO GUARANTEE IS GIVEN THAT ALL EXISTING SERVICES ARE SHOWN

FOR TENDER
NOT FOR CONSTRUCTION

CAD FILE NAME: \\BECA.NET\PROJECTS\6584\6584\39\CAD\R0602-R-PBID-PL-C-0125 TO R126.DWG

DESIGNED	CD	DRAWN	JB
DESIGN CHECK	LS	DRAFT CHECK	AGS
APPROVED	DAP		
DATE	25.03.21	DAP	
REV	ZONE	DESCRIPTION	APP'D
T0		ISSUE FOR TENDER	DAP



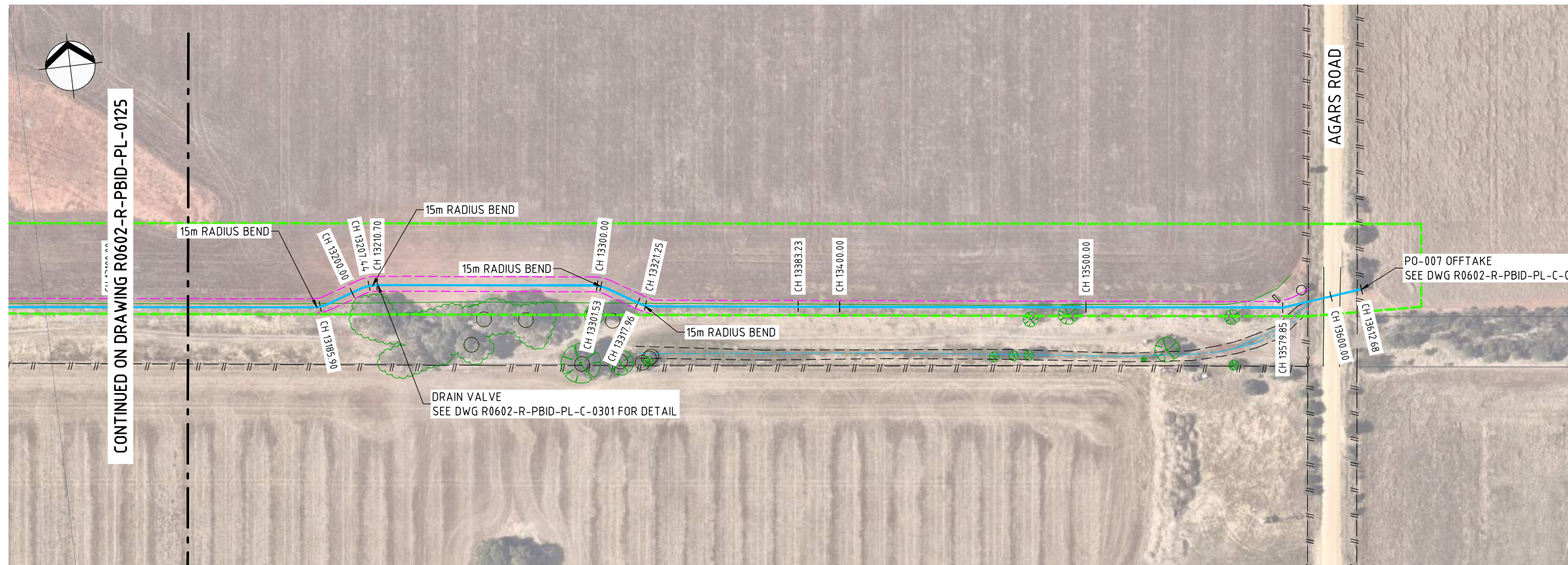
DESIGNED CD
DRAWN JB
DESIGN CHECK LS
DRAFT CHECK AGS
APPROVED DAP



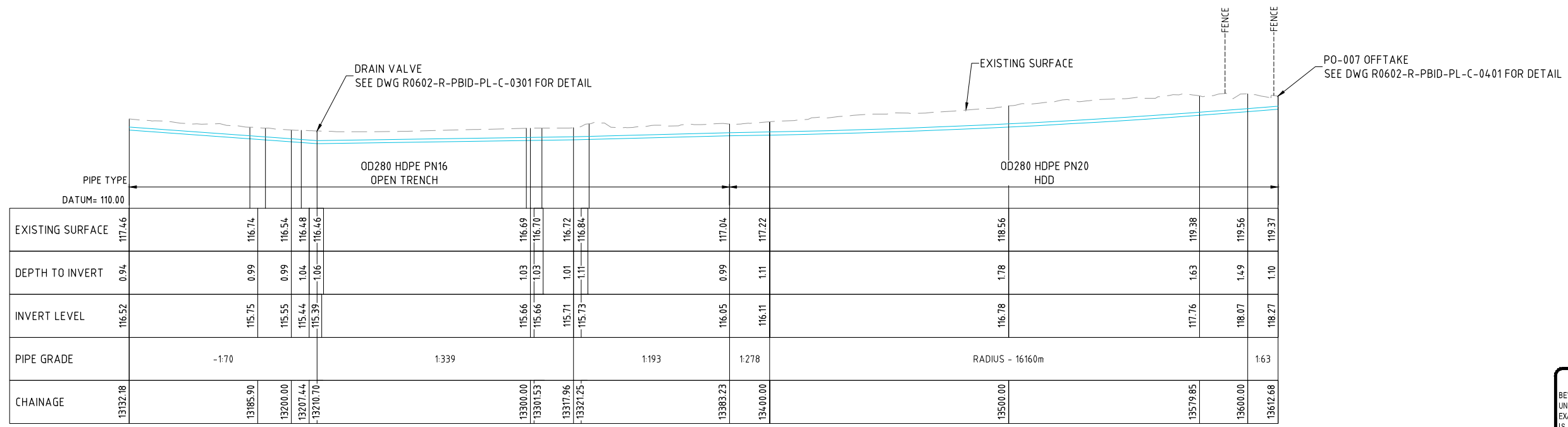
PARWAN TO BALLIANG IRRIGATION DISTRICT PIPELINE
PLAN AND LONGITUDINAL SECTION
SHEET 25

PLAN TYPE:	CIVIL
SCALE:	AS SHOWN
DRAWING NUMBER	R0602-R-PBID-PL-C-0125
NUMERAL	T0
REV	

- NOTES:**
- REFER TO DRAWING R0602-R-PBID-PL-G-0002 FOR DRAWING LIST AND LEGEND.
 - REFER TO DRAWING R0602-R-PBID-PL-G-0003 FOR GENERAL NOTES AND SCHEDULES.

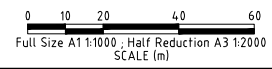


PLAN
SCALE 1:1000



LONGITUDINAL SECTION
HORIZONTAL SCALE 1:1000
VERTICAL SCALE 1:200

PIPE TYPE	OD280 HDPE PN16 OPEN TRENCH		OD280 HDPE PN20 HDD	
DATUM= 110.00				
EXISTING SURFACE	117.46	116.74	116.69	117.04
DEPTH TO INVERT	0.94	0.99	1.03	0.99
INVERT LEVEL	116.52	115.75	115.66	116.05
PIPE GRADE	-1.70	1.339	1.193	1.278
CHAINAGE	13132.18	13195.90	13300.00	13400.00
				RADIUS - 16160m
				1.63



WARNING
BEWARE OF UNDERGROUND SERVICES. THE LOCATIONS OF UNDERGROUND SERVICES ARE APPROXIMATE ONLY AND THEIR EXACT POSITION SHOULD BE PROVEN ON SITE. NO GUARANTEE IS GIVEN THAT ALL EXISTING SERVICES ARE SHOWN

FOR TENDER
NOT FOR CONSTRUCTION

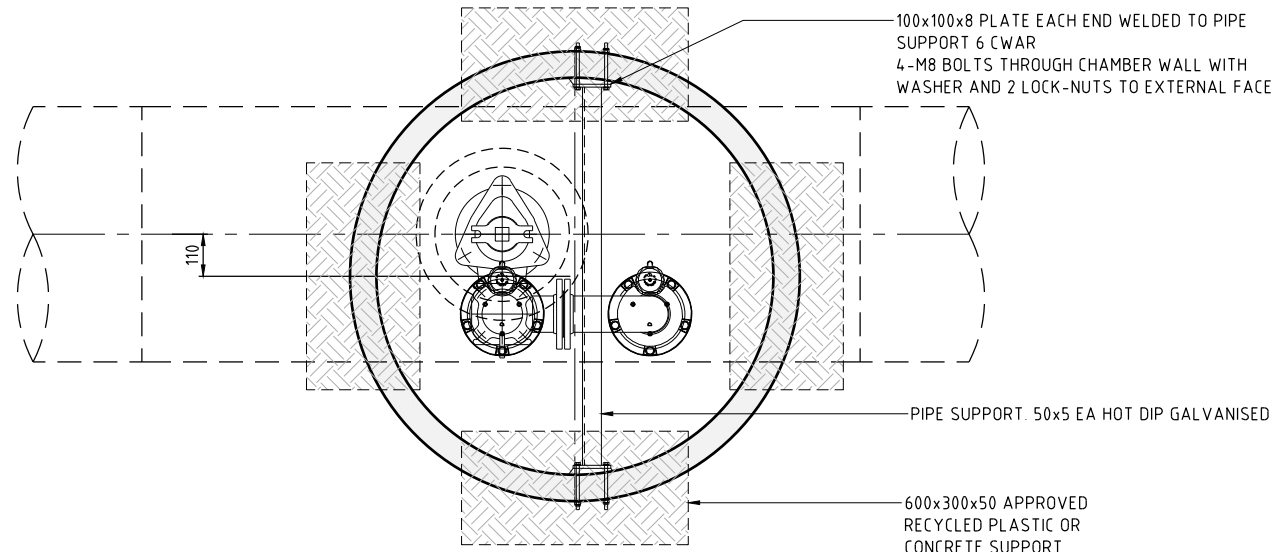
CAD FILE NAME: \\BECA.NET\PROJECTS\6584594\39\CAD\R0602-R-PBID-PL-C-0011 TO 0126.DWG

DESIGNED	CD	DRAWN	JB
DESIGN CHECK	LS	DRAFT CHECK	AGS
APPROVED	DAP		



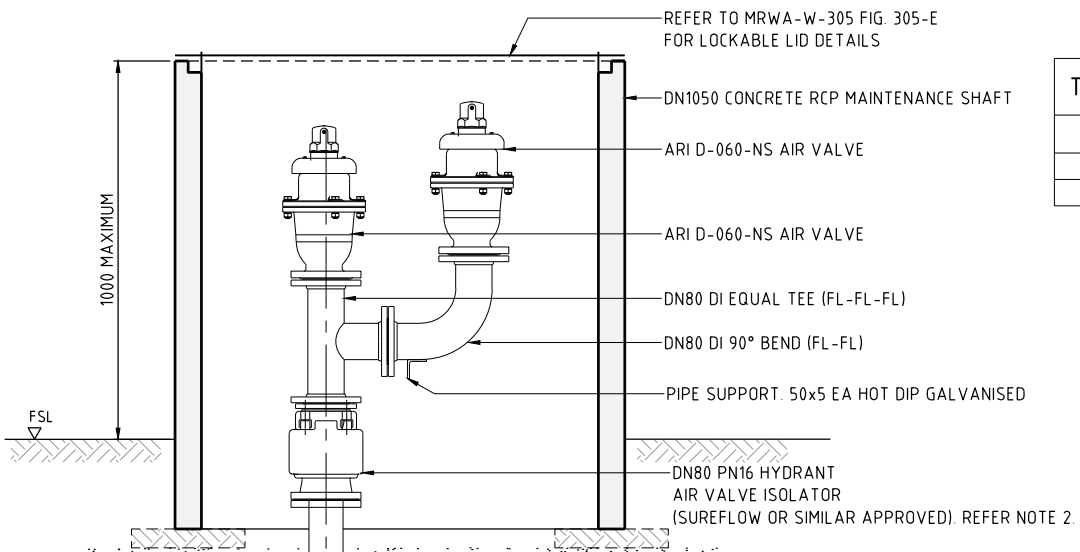
PARWAN TO BALLIANG IRRIGATION DISTRICT PIPELINE
PLAN AND LONGITUDINAL SECTION
SHEET 26

PLAN TYPE:	CIVIL
SCALE:	AS SHOWN
DRAWING NUMBER	
R0602-R-PBID-PL-C-0126	T0
NUMERAL	REV



IN-LINE DOUBLE AIR VALVE ASSEMBLY - PLAN
WATER TYPE WITH HYDRANT ISOLATOR

SCALE: 1:10

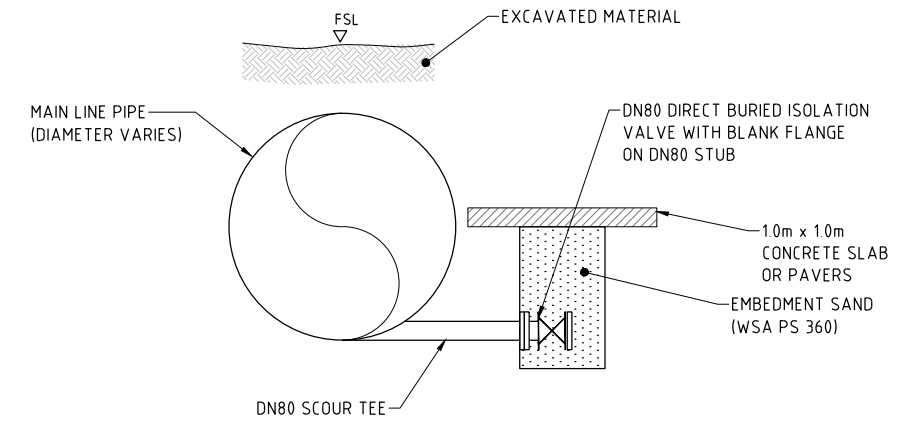


IN-LINE DOUBLE AIR VALVE ASSEMBLY - SECTION
WATER TYPE WITH HYDRANT ISOLATOR

SCALE: 1:10

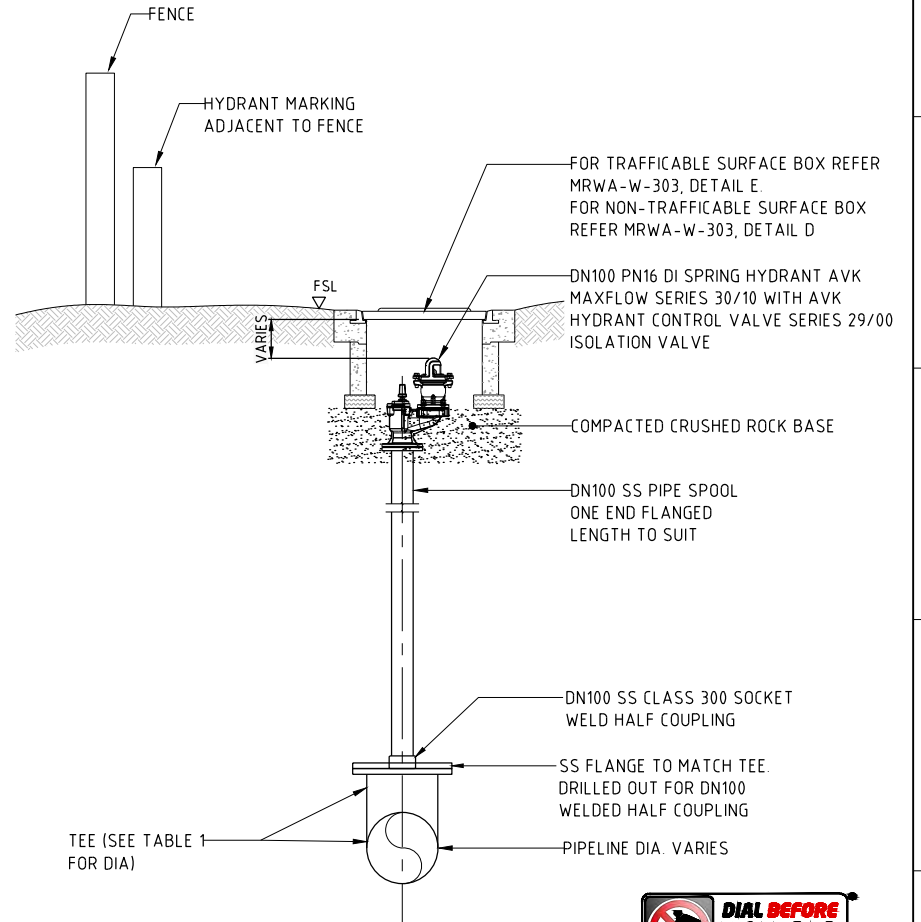
TABLE 1: HYDRANT TEE SIZING

PIPE DIAMETER	TEE DIAMETER
$\phi \geq 300$	300
$\phi < 300$	EQUAL TEE



DRAIN VALVE DETAIL

SCALE: 1:20



HYDRANT DETAIL

SCALE: 1:20

NOTES:

- REFER TO DRAWING R0602-R-PBID-PL-G-0002 FOR DRAWING LIST AND LEGEND.
- REFER TO DRAWING R0602-R-PBID-PL-G-0003 GENERAL NOTES FOR VALVE CLOSING DIRECTION.

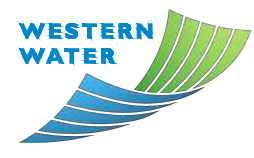


WARNING
BEWARE OF UNDERGROUND SERVICES. THE LOCATIONS OF UNDERGROUND SERVICES ARE APPROXIMATE ONLY AND THEIR EXACT POSITION SHOULD BE PROVEN ON SITE. NO GUARANTEE IS GIVEN THAT ALL EXISTING SERVICES ARE SHOWN

FOR TENDER
NOT FOR CONSTRUCTION

CAD FILE NAME: \\BECA.NET\PROJECTS\5858\584391\CAD\R0602-R-PBID-PL-C-0301.DWG

DESIGNED	CD	DRAWN	JB
DESIGN CHECK	LS	DRAFT CHECK	AGS
APPROVED	DAP		
DATE	25.03.21	DAP	
REV	ZONE	DESCRIPTION	DATE
T0		ISSUE FOR TENDER	25.03.21

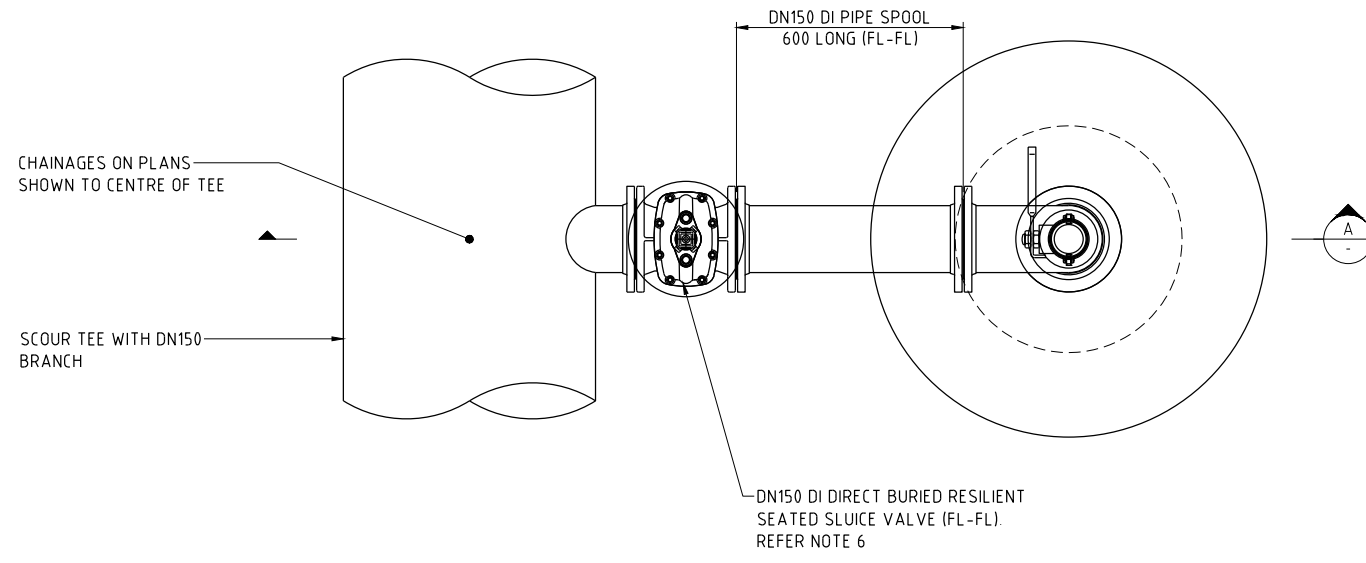


PARWAN TO BALLIANG IRRIGATION DISTRICT PIPELINE
AIR AND DRAIN VALVE DETAILS

PLAN TYPE:	CIVIL
SCALE:	AS SHOWN
DRAWING NUMBER	R0602-R-PBID-PL-C-0301
NUMERAL	T0

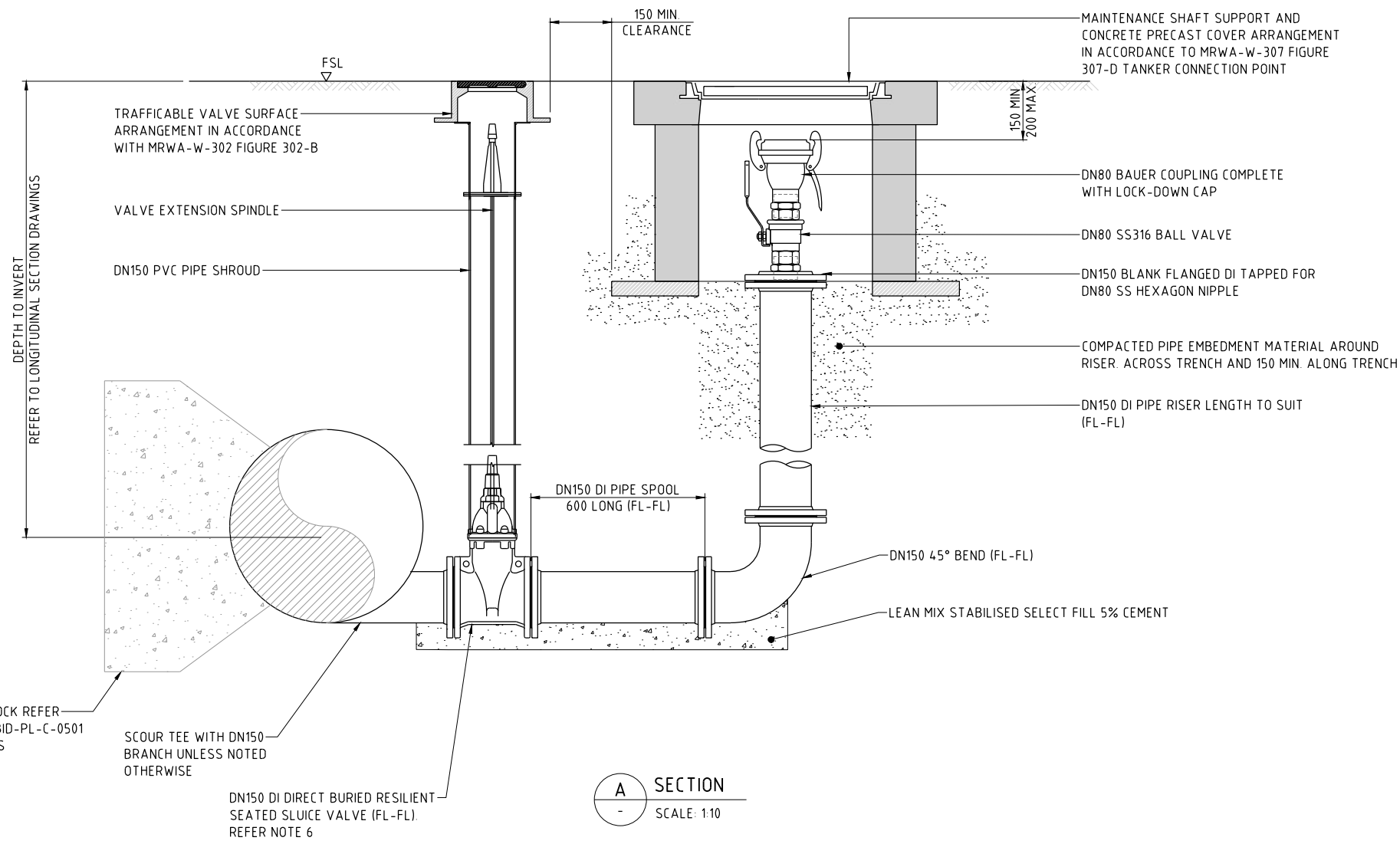
NOTES:

1. REFER TO DRAWING R0602-R-PBID-PL-G-0002 FOR DRAWING LIST AND LEGEND
2. LOCATIONS OF SCOUR INSTALLATION TO BE AS SHOWN ON PLAN AND LONGITUDINAL SECTION DRAWINGS
3. SCOUR VALVE ACCESS COVER TO BE TRAFFICABLE AND IN ACCORDANCE TO MRWA-W-302 FIGURE 302-B VALVE SURFACE ARRANGEMENT
4. ORIENTATION OF SCOUR AND VALVES TO BE VERTICALLY OPERATED FROM SURFACE
5. VALVE COVERS TO BE LOCKABLE
6. REFER TO DRAWING R0602-R-PBID-PL-G-0003 GENERAL NOTES FOR VALVE CLOSING DIRECTION.



SCOUR VALVE ASSEMBLY - PLAN

SCALE: 1:10

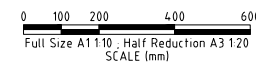


A SECTION
SCALE: 1:10



WARNING
BEWARE OF UNDERGROUND SERVICES. THE LOCATIONS OF UNDERGROUND SERVICES ARE APPROXIMATE ONLY AND THEIR EXACT POSITION SHOULD BE PROVEN ON SITE. NO GUARANTEE IS GIVEN THAT ALL EXISTING SERVICES ARE SHOWN.

FOR TENDER
NOT FOR CONSTRUCTION



CAD FILE NAME: \\BECA.NET\PROJECTS\5658\584\391\CAD\R0602-R-PBID-PL-C-0303.DWG

DESIGNED	CD	DRAWN	JB	
DESIGN CHECK	LS	DRAFT CHECK	AGS	
APPROVED	DAP			
REV	ZONE	DESCRIPTION	DATE	APP'D
T0		ISSUE FOR TENDER	25.03.21	DAP



DESIGNED	CD	DRAWN	JB
DESIGN CHECK	LS	DRAFT CHECK	AGS
APPROVED	DAP		

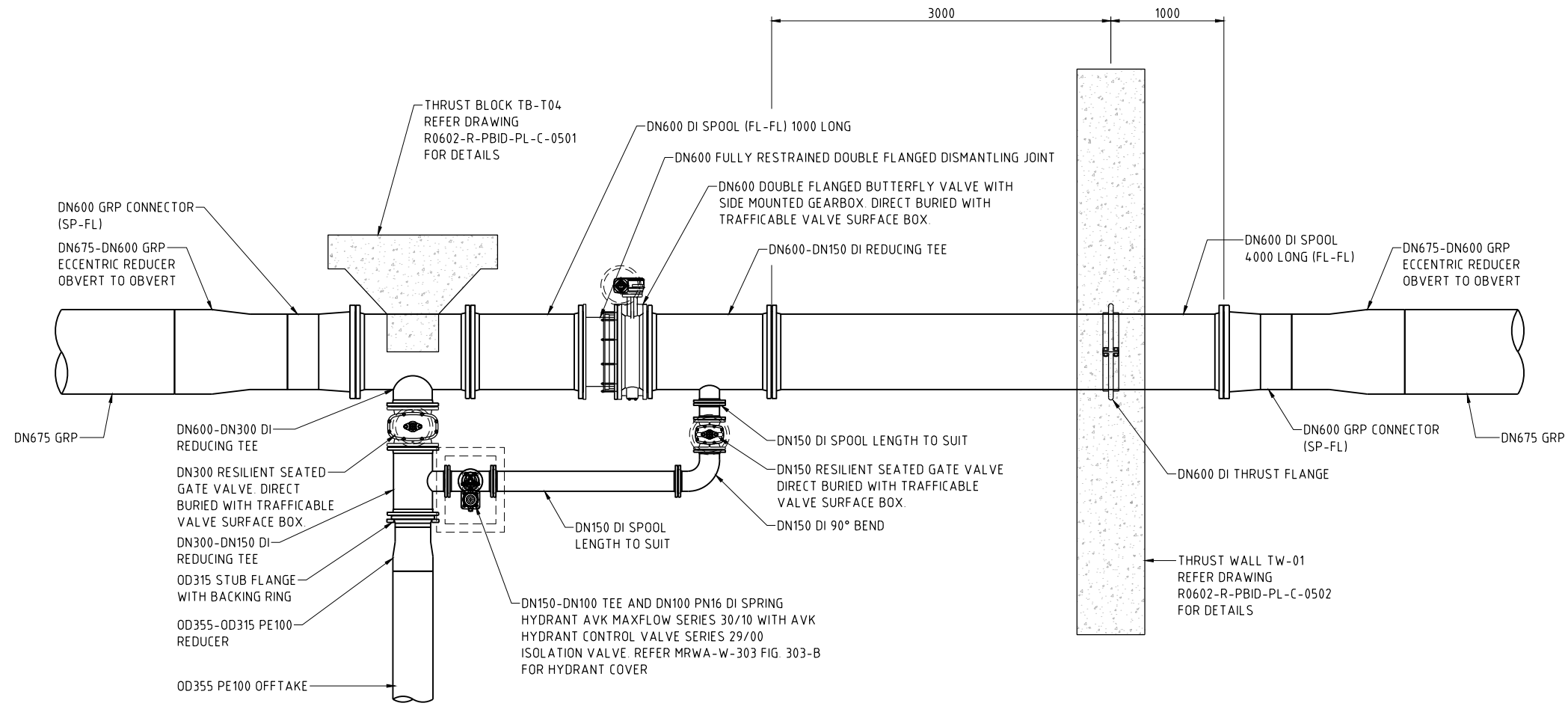


PARWAN TO BALLIANG IRRIGATION DISTRICT PIPELINE
SCOUR VALVE DETAIL

PLAN TYPE:	CIVIL
SCALE:	1:10
DRAWING NUMBER	
R0602-R-PBID-PL-C-0303	T0
NUMERAL	REV

NOTES:

1. REFER TO DRAWING R0602-R-PBID-G-0002 FOR DRAWING LIST AND LEGEND
2. REFER TO DRAWING R0602-R-PBID-G-0003 FOR GENERAL NOTES AND SCHEDULES
3. LOCATIONS OF VALVE INSTALLATION TO BE AS SHOWN ON PLAN AND LONGITUDINAL SECTION DRAWINGS
4. ORIENTATION OF VALVES TO BE VERTICALLY OPERATED FROM SURFACE
5. VALVE COVERS TO BE LOCKABLE.

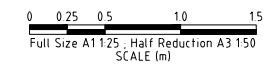


ISOLATION VALVE 1 ASSEMBLY- PLAN
 (CH 3669)
 SCALE: 1:25



WARNING
 BEWARE OF UNDERGROUND SERVICES. THE LOCATIONS OF UNDERGROUND SERVICES ARE APPROXIMATE ONLY AND THEIR EXACT POSITION SHOULD BE PROVEN ON SITE. NO GUARANTEE IS GIVEN THAT ALL EXISTING SERVICES ARE SHOWN.

FOR TENDER
 NOT FOR CONSTRUCTION



CAD FILE NAME: \\BECA.NET\PROJECTS\5658\56584391\CAD\R0602-R-PBID-PL-C-0311.DWG

DESIGNED	CD	DRAWN	SMB	
DESIGN CHECK	LS	DRAFT CHECK	AGS	
APPROVED	DAP			
TO	ISSUE FOR TENDER	25.03.21	DAP	
REV	ZONE	DESCRIPTION	DATE	APP'D
1				



DESIGNED	CD	DRAWN	SMB
DESIGN CHECK	LS	DRAFT CHECK	AGS
APPROVED	DAP		

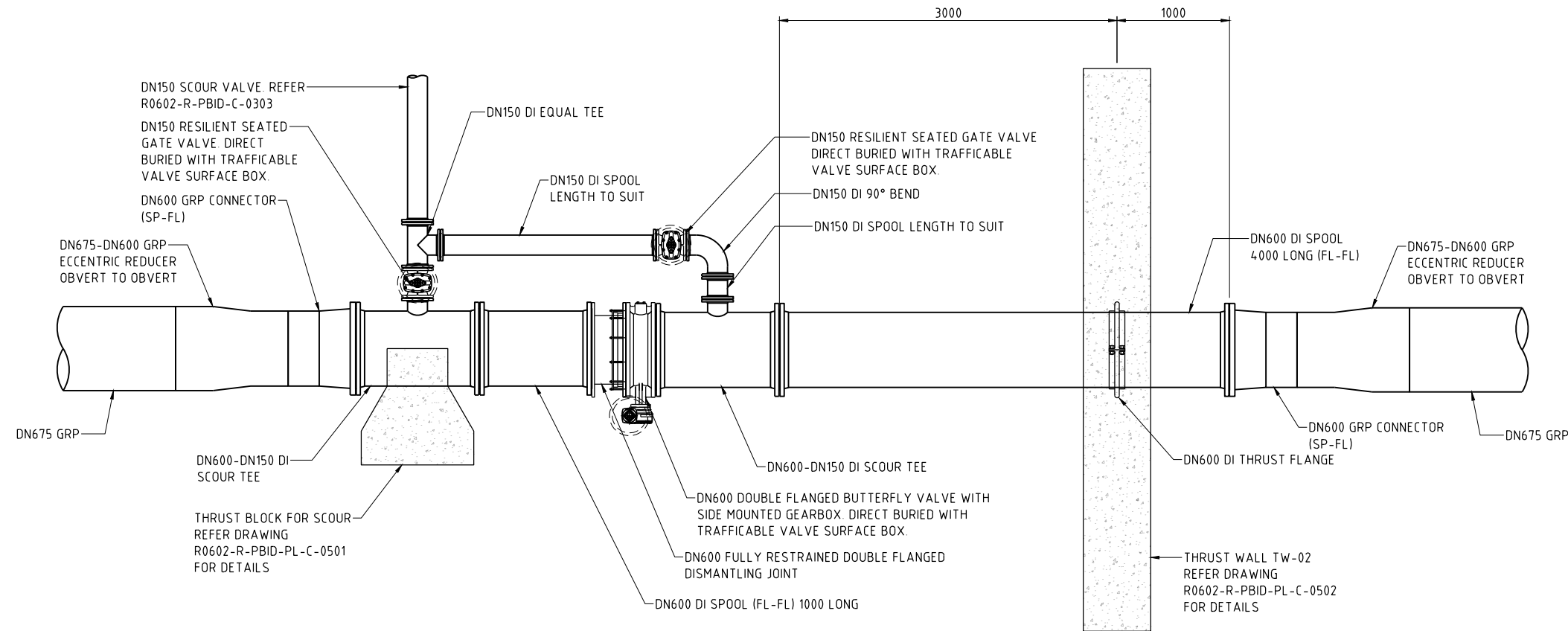


PARWAN TO BALLIANG IRRIGATION DISTRICT PIPELINE
 ISOLATION VALVE DETAILS
 SHEET 1

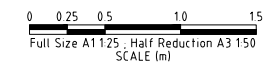
PLAN TYPE:	CIVIL
SCALE:	1:25
DRAWING NUMBER	
R0602-R-PBID-PL-C-0311	T0
NUMERAL	REV

NOTES:

1. REFER TO DRAWING R0602-R-PBID-G-0002 FOR DRAWING LIST AND LEGEND
2. REFER TO DRAWING R0602-R-PBID-G-0003 FOR GENERAL NOTES AND SCHEDULES
3. LOCATIONS OF VALVE INSTALLATION TO BE AS SHOWN ON PLAN AND LONGITUDINAL SECTION DRAWINGS
4. ORIENTATION OF VALVES TO BE VERTICALLY OPERATED FROM SURFACE
5. VALVE COVERS TO BE LOCKABLE.



ISOLATION VALVE 2 ASSEMBLY - PLAN
(CH 5320)
SCALE: 1:25



WARNING
BEWARE OF UNDERGROUND SERVICES. THE LOCATIONS OF UNDERGROUND SERVICES ARE APPROXIMATE ONLY AND THEIR EXACT POSITION SHOULD BE PROVEN ON SITE. NO GUARANTEE IS GIVEN THAT ALL EXISTING SERVICES ARE SHOWN.

FOR TENDER
NOT FOR CONSTRUCTION

CAD FILE NAME: \\BECA.NET\PROJECTS\5458\5458\4391\CAD\R0602-R-PBID-PL-C-0312.DWG

DESIGNED	CD	DRAWN	SMB	
DESIGN CHECK	LS	DRAFT CHECK	AGS	
APPROVED	DAP			
REV	ZONE	DESCRIPTION	DATE	APP'D
T0		ISSUE FOR TENDER	25.03.21	DAP



DESIGNED	CD	DRAWN	SMB
DESIGN CHECK	LS	DRAFT CHECK	AGS
APPROVED	DAP		

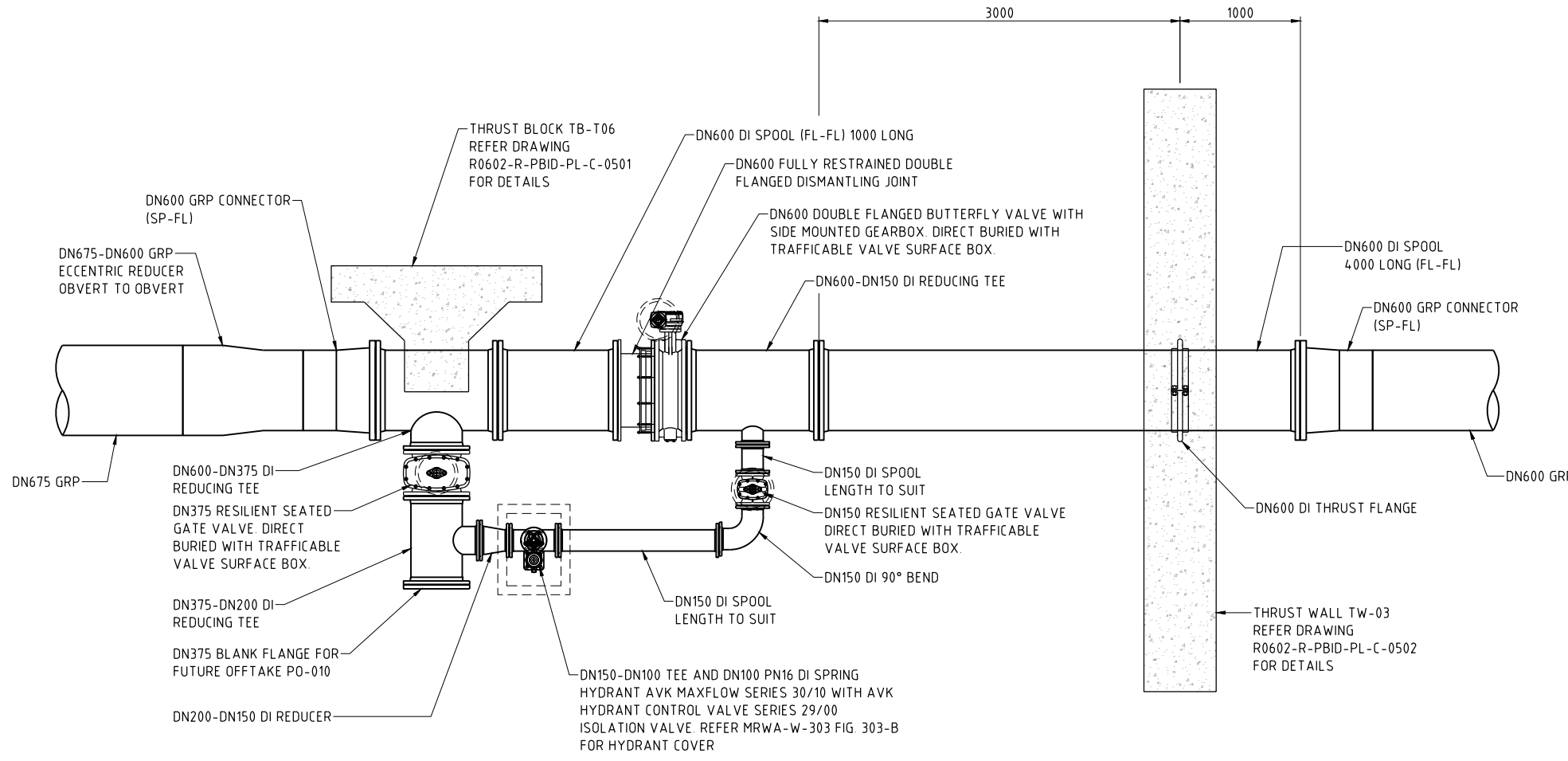


PARWAN TO BALLIANG IRRIGATION DISTRICT PIPELINE
ISOLATION VALVE DETAILS
SHEET 2

PLAN TYPE:	CIVIL
SCALE:	1:25
DRAWING NUMBER	
R0602-R-PBID-PL-C-0312	T0
NUMERAL	REV

NOTES:

1. REFER TO DRAWING R0602-R-PBID-G-0002 FOR DRAWING LIST AND LEGEND
2. REFER TO DRAWING R0602-R-PBID-G-0003 FOR GENERAL NOTES AND SCHEDULES
3. LOCATIONS OF VALVE INSTALLATION TO BE AS SHOWN ON PLAN AND LONGITUDINAL SECTION DRAWINGS
4. ORIENTATION OF VALVES TO BE VERTICALLY OPERATED FROM SURFACE
5. VALVE COVERS TO BE LOCKABLE.

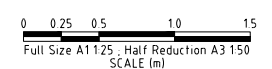


ISOLATION VALVE 3 ASSEMBLY- PLAN
(CH 8498)
 SCALE: 1:25



WARNING
 BEWARE OF UNDERGROUND SERVICES. THE LOCATIONS OF UNDERGROUND SERVICES ARE APPROXIMATE ONLY AND THEIR EXACT POSITION SHOULD BE PROVEN ON SITE. NO GUARANTEE IS GIVEN THAT ALL EXISTING SERVICES ARE SHOWN.

FOR TENDER
NOT FOR CONSTRUCTION

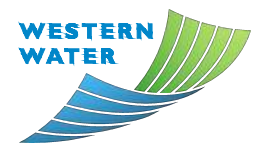


CAD FILE NAME: \\BECA.NET\PROJECTS\5658\584391\CAD\R0602-R-PBID-PL-C-0313.DWG

DESIGNED	CD	DRAWN	SMB	
DESIGN CHECK	LS	DRAFT CHECK	AGS	
APPROVED	DAP			
REV	ZONE	DESCRIPTION	DATE	APP'D
T0		ISSUE FOR TENDER	25.03.21	DAP



DESIGNED	CD	DRAWN	SMB
DESIGN CHECK	LS	DRAFT CHECK	AGS
APPROVED	DAP		

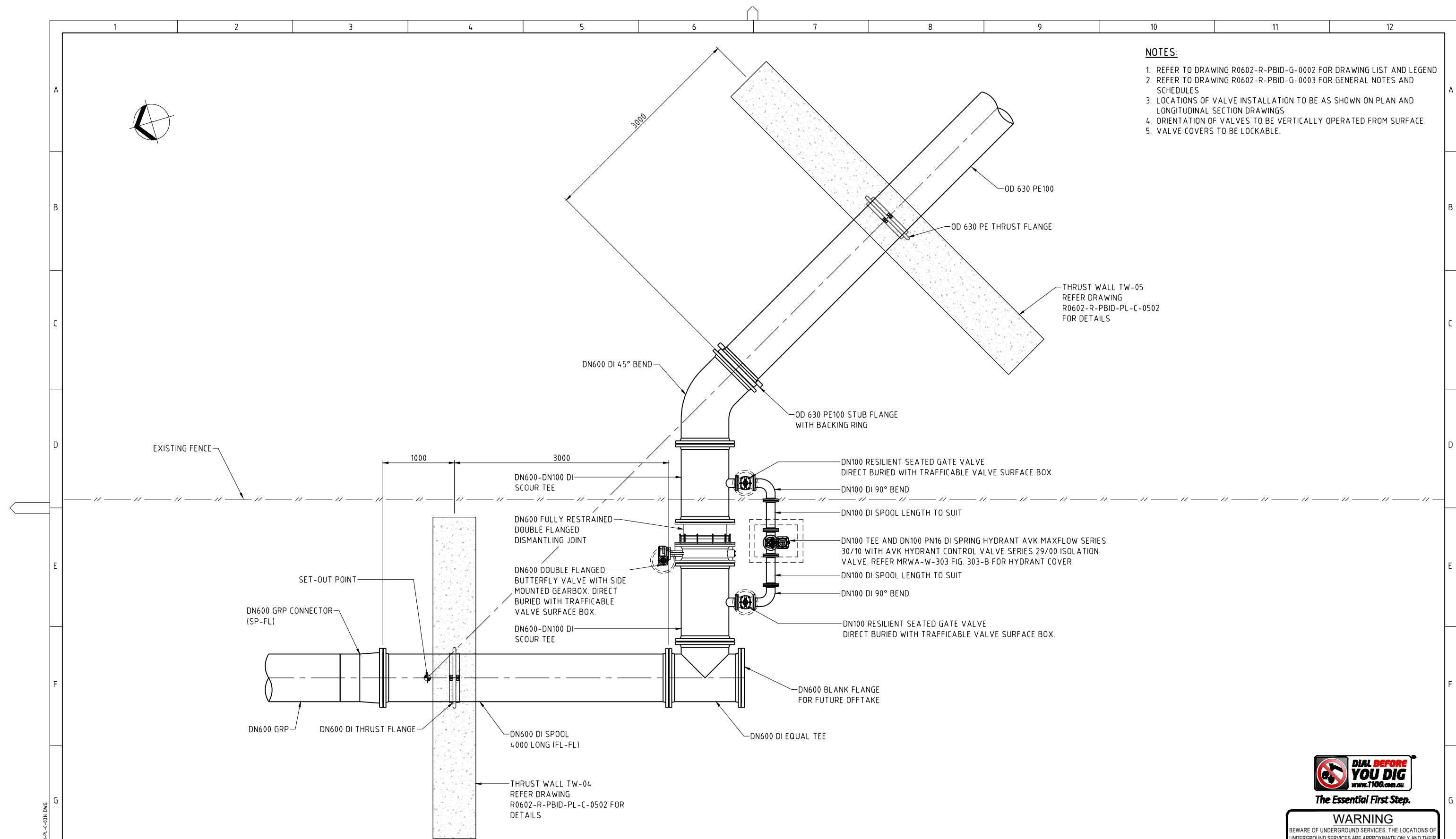


PARWAN TO BALLIANG IRRIGATION DISTRICT PIPELINE
 ISOLATION VALVE DETAILS
 SHEET 3

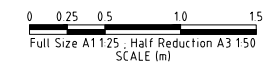
PLAN TYPE:	CIVIL
SCALE:	1:25
DRAWING NUMBER	
R0602-R-PBID-PL-C-0313	T0
NUMERAL	REV

NOTES:

1. REFER TO DRAWING R0602-R-PBID-G-0002 FOR DRAWING LIST AND LEGEND
2. REFER TO DRAWING R0602-R-PBID-G-0003 FOR GENERAL NOTES AND SCHEDULES
3. LOCATIONS OF VALVE INSTALLATION TO BE AS SHOWN ON PLAN AND LONGITUDINAL SECTION DRAWINGS
4. ORIENTATION OF VALVES TO BE VERTICALLY OPERATED FROM SURFACE
5. VALVE COVERS TO BE LOCKABLE.



ISOLATION VALVE 4 ASSEMBLY- PLAN
(CH 10496)
 SCALE: 1:25



The Essential First Step.

WARNING
 BEWARE OF UNDERGROUND SERVICES. THE LOCATIONS OF UNDERGROUND SERVICES ARE APPROXIMATE ONLY AND THEIR EXACT POSITION SHOULD BE PROVEN ON SITE. NO GUARANTEE IS GIVEN THAT ALL EXISTING SERVICES ARE SHOWN.

FOR TENDER
NOT FOR CONSTRUCTION

CAD FILE NAME: \\BECA.NET\PROJECTS\5658\5658\4391\CAD\R0602-R-PBID-PL-C-0314.DWG

DESIGNED	CD	DRAWN	SMB
DESIGN CHECK	LS	DRAFT CHECK	AGS
APPROVED	DAP		
TO	ISSUE FOR TENDER	25.03.21	DAP
REV	ZONE	DESCRIPTION	DATE



DESIGNED	CD	DRAWN	SMB
DESIGN CHECK	LS	DRAFT CHECK	AGS
APPROVED	DAP		



PARWAN TO BALLIANG IRRIGATION DISTRICT PIPELINE
 ISOLATION VALVE DETAILS
 SHEET 4

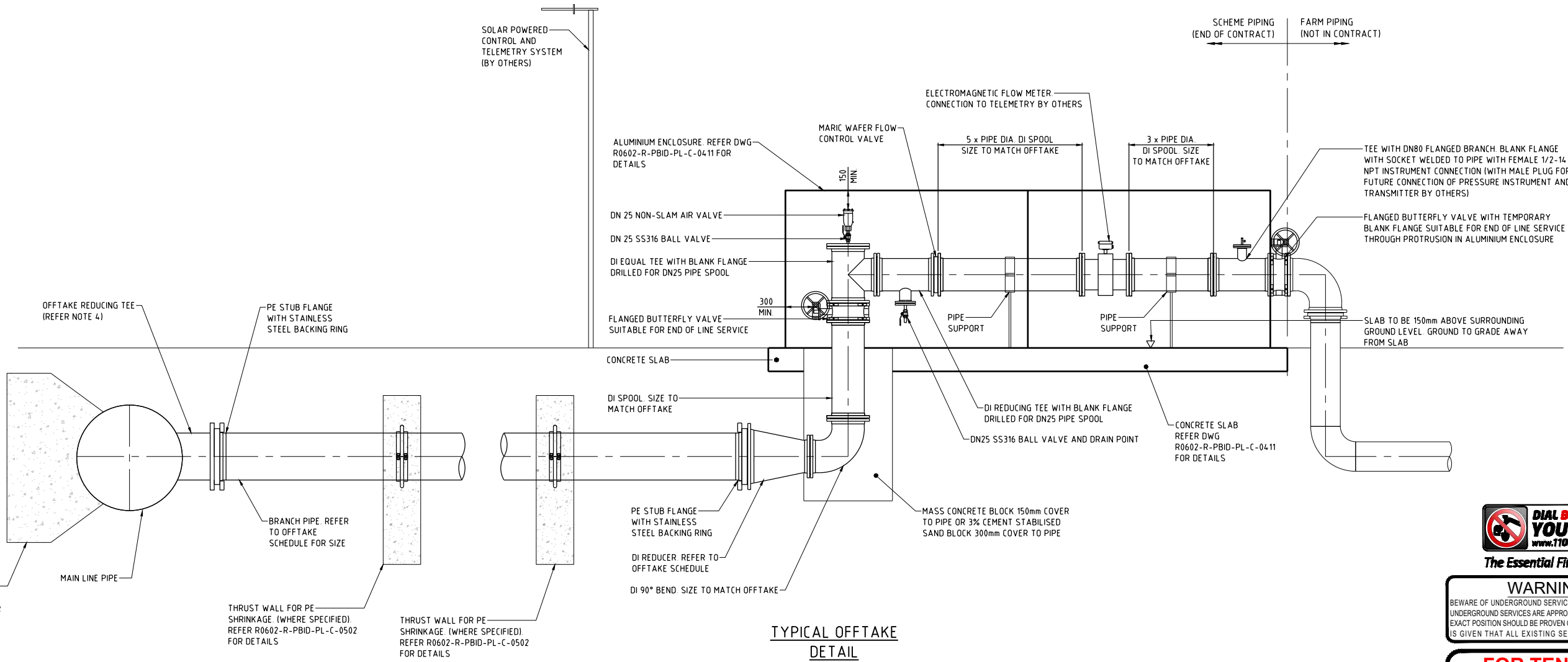
PLAN TYPE:	CIVIL
SCALE:	1:25
DRAWING NUMBER	
R0602-R-PBID-PL-C-0314	T0
NUMERAL	REV

OFFTAKE SCHEDULE

REFERENCE	CUSTOMER NAME	MAIN LINE CHAINAGE (APPROX.)	DESIGN FLOW (L/S)	MAIN LINE PIPE AT BRANCH	BRANCH TEE	BRANCH PIPE SIZE	REDUCER	OFFTAKE SIZE	TERMINATION POINT	MINIMUM MARIC VALVE RATING (LPM)
PO-001A	PARWAN PRIME	49	66	DN675 GRP	DN675-225 GRP	OD280 PE	250-200	DN200	CONTRACT INTERFACE AS SHOWN	7920
PO-001B	PARWAN PRIME	1892	66	DN675 GRP	DN675-225 GRP	OD280 PE	250-200	DN200	CONTRACT INTERFACE AS SHOWN	7920
PO-001C	PARWAN PRIME (FUTURE)	2260	81	DN675 GRP	DN675-300 GRP	N/A	N/A	N/A	BLANK FLANGE ON OFFTAKE TEE	N/A
PO-001D	PARWAN PRIME	3669	74	DN675 GRP	DN600-300 DI	OD355 PE	350-250	DN250	CONTRACT INTERFACE AS SHOWN	8880
PO-002	GLEN CREEK	8491	139	DN675 GRP	DN675-375 GRP	OD400 PE	400-300	DN300	CONTRACT INTERFACE AS SHOWN	16667
PO-003	GLEN CREEK	11433	23	OD630 PE	OD630-180 PE	OD180 PE	N/A	DN150	CONTRACT INTERFACE AS SHOWN	2760
PO-004	SHARKEY	11452	156	OD630 PE	OD630-500 PE	OD500 PE	500-300	DN300	CONTRACT INTERFACE AS SHOWN	18720
PO-005	QUAYLE	12842	38	OD500 PE	OD500-280 PE	OD280 PE	250-150	DN150	CONTRACT INTERFACE AS SHOWN	4608
PO-006	SHARKEY	12848	50	OD500 PE	OD500-280 PE	OD280 PE	250-200	DN200	CONTRACT INTERFACE AS SHOWN	5983
PO-007	JONRUS	13611	48	OD280 PE	N/A	OD280 PE	250-200	DN200	CONTRACT INTERFACE AS SHOWN	5775
PO-008	JENSZ (FUTURE)	4076	104	DN675 GRP	DN675-375 GRP	OD400 PE	N/A	N/A	BLANK FLANGE ON END OF BRANCH PIPE	N/A
PO-009	FUTURE	7400	38	DN675 GRP	DN675-225 GRP	N/A	N/A	N/A	BLANK FLANGE ON OFFTAKE TEE	N/A
PO-010	FUTURE	8497	104	DN675 GRP	DN600-375 DI	N/A	N/A	N/A	BLANK FLANGE ON OFFTAKE TEE	N/A
PO-011	FUTURE EXTENSION	10496	206	DN600 GRP	DN600 DI EQUAL TEE	N/A	N/A	N/A	BLANK FLANGE ON OFFTAKE TEE	N/A
SCHOOL	SCHOOL	8028	3	DN675 GRP	DN675-100 GRP	OD63 PE	N/A	N/A	CONTRACT INTERFACE AS SHOWN	N/A
CFA	CFA	8175	25	DN675 GRP	DN675-100 GRP	OD125 PE	N/A	N/A	CONTRACT INTERFACE AS SHOWN	N/A

NOTES:

- REFER TO DRAWING R0602-R-PBID-PL-G-0002 FOR DRAWING LIST AND LEGEND.
- REFER TO DRAWING R0602-R-PBID-PL-G-0003 FOR GENERAL NOTES AND SCHEDULES.
- PROVIDE BLANK FLANGE ON STUB FLANGE AT OFFTAKE TEE WHERE OFFTAKE IS NOT BEING CONSTRUCTED UNLESS OTHERWISE NOTED.
- LOCATE OFFTAKE ASSEMBLY AWAY FROM GATES AND OTHER FARM INFRASTRUCTURE. LOCATION TO BE AGREED ON SITE WITH SUPERINTENDENT.



TYPICAL OFFTAKE
DETAIL
SCALE: NTS



WARNING
BEWARE OF UNDERGROUND SERVICES. THE LOCATIONS OF UNDERGROUND SERVICES ARE APPROXIMATE ONLY AND THEIR EXACT POSITION SHOULD BE PROVEN ON SITE. NO GUARANTEE IS GIVEN THAT ALL EXISTING SERVICES ARE SHOWN

FOR TENDER
NOT FOR CONSTRUCTION

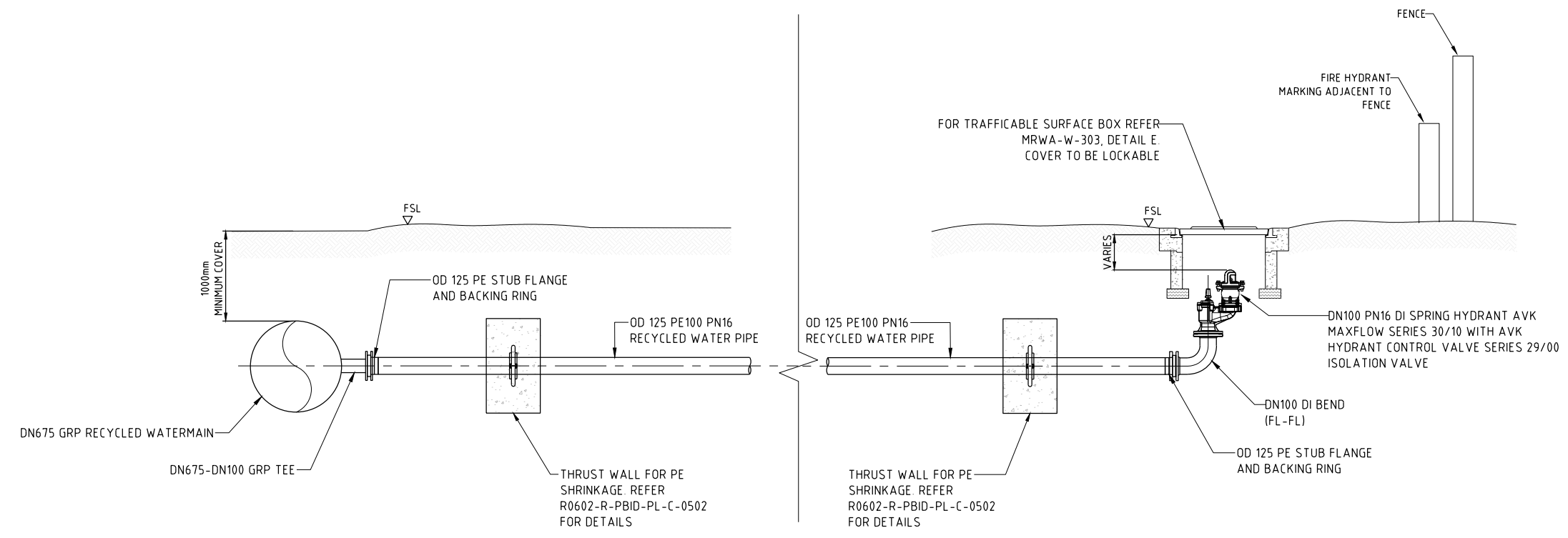


PARWAN TO BALLIANG IRRIGATION DISTRICT PIPELINE
TYPICAL OFFTAKE DETAILS

PLAN TYPE:	CIVIL
SCALE:	NTS
DRAWING NUMBER	
R0602-R-PBID-PL-C-0401	T0
NUMERAL	REV

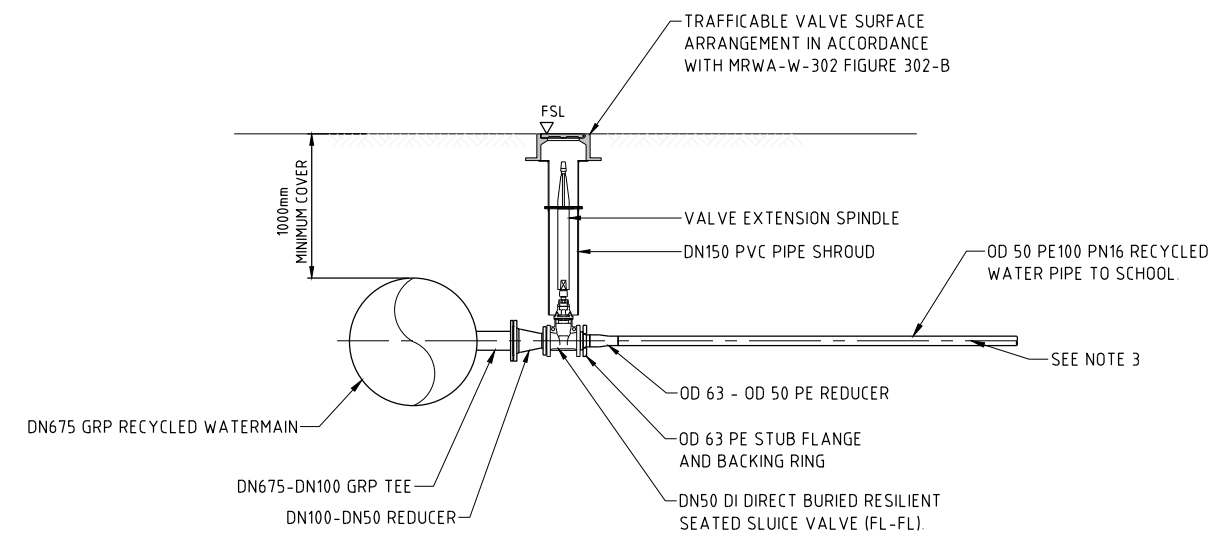
CAD FILE NAME: \\BECA.NET\PROJECTS\5658\584\391\CAD\R0602-R-PBID-PL-C-0401.DWG

- NOTES:**
- REFER TO DRAWING R0602-R-PBID-PL-G-0002 FOR DRAWING LIST AND LEGEND.
 - REFER TO DRAWING R0602-R-PBID-PL-G-0003 GENERAL NOTES FOR VALVE CLOSING DIRECTION.
 - REFER TO ITEMS 4 - 13, DRAWING 1B, MRWA WSA WATER CODE 500 SERIES FOR CONTINUATION.



CFA OFFTAKE DETAIL
SCALE: 1:20

CFA OFFTAKE DETAIL
SCALE: 1:20



SCHOOL OFFTAKE DETAIL
SCALE: 1:20



WARNING
BEWARE OF UNDERGROUND SERVICES. THE LOCATIONS OF UNDERGROUND SERVICES ARE APPROXIMATE ONLY AND THEIR EXACT POSITION SHOULD BE PROVEN ON SITE. NO GUARANTEE IS GIVEN THAT ALL EXISTING SERVICES ARE SHOWN

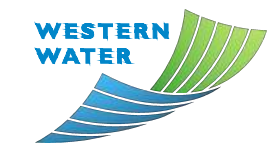
FOR TENDER
NOT FOR CONSTRUCTION

CAD FILE NAME: \BECA\NET\PROJECTS\5658\5658\4391\CAD\IR602-R-PBID-PL-C-0402.DWG

DESIGNED	CD	DRAWN	JB	
DESIGN CHECK	LS	DRAFT CHECK	AGS	
APPROVED	DAP			
REV	ZONE	DESCRIPTION	DATE	APP'D
T0		ISSUE FOR TENDER	25.03.21	DAP

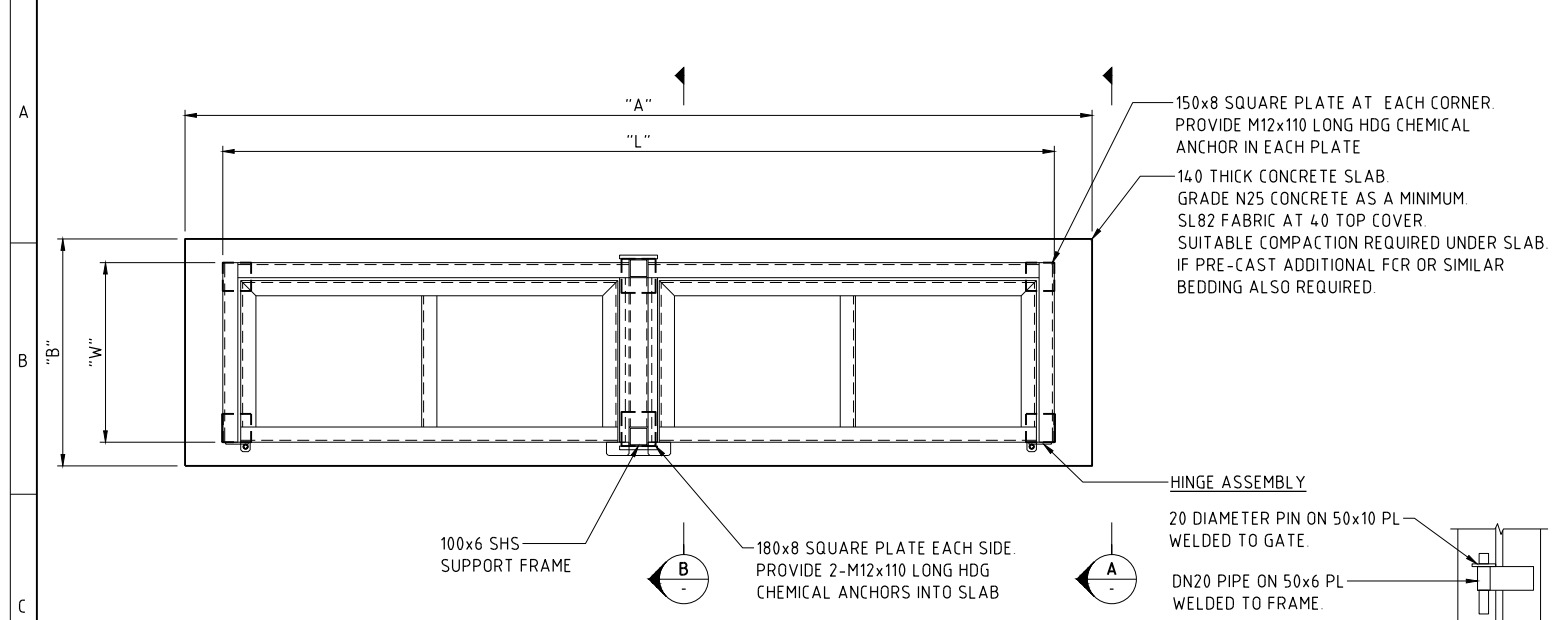


DESIGNED	CD	DRAWN	JB
DESIGN CHECK	LS	DRAFT CHECK	AGS
APPROVED	DAP		

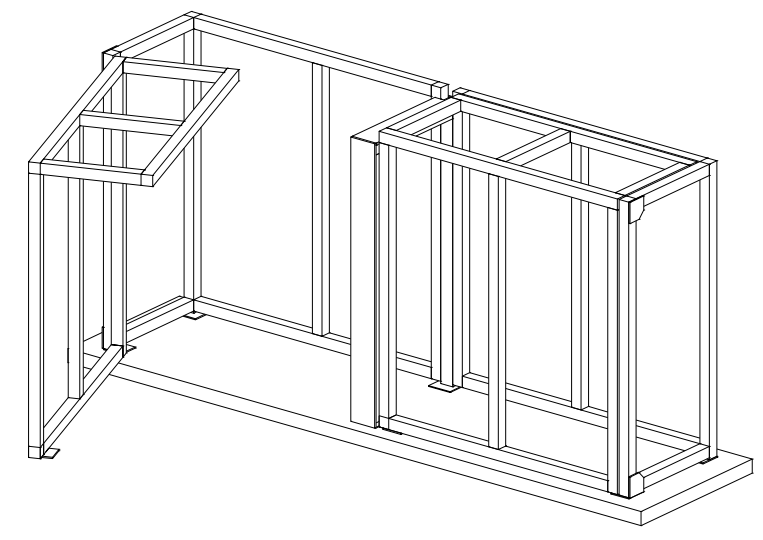


PARWAN TO BALLIANG IRRIGATION DISTRICT PIPELINE
SCHOOL AND CFA OFFTAKE DETAILS

PLAN TYPE:	CIVIL
SCALE:	1:20
DRAWING NUMBER	
R0602-R-PBID-PL-C-0402	T0
NUMERAL	REV



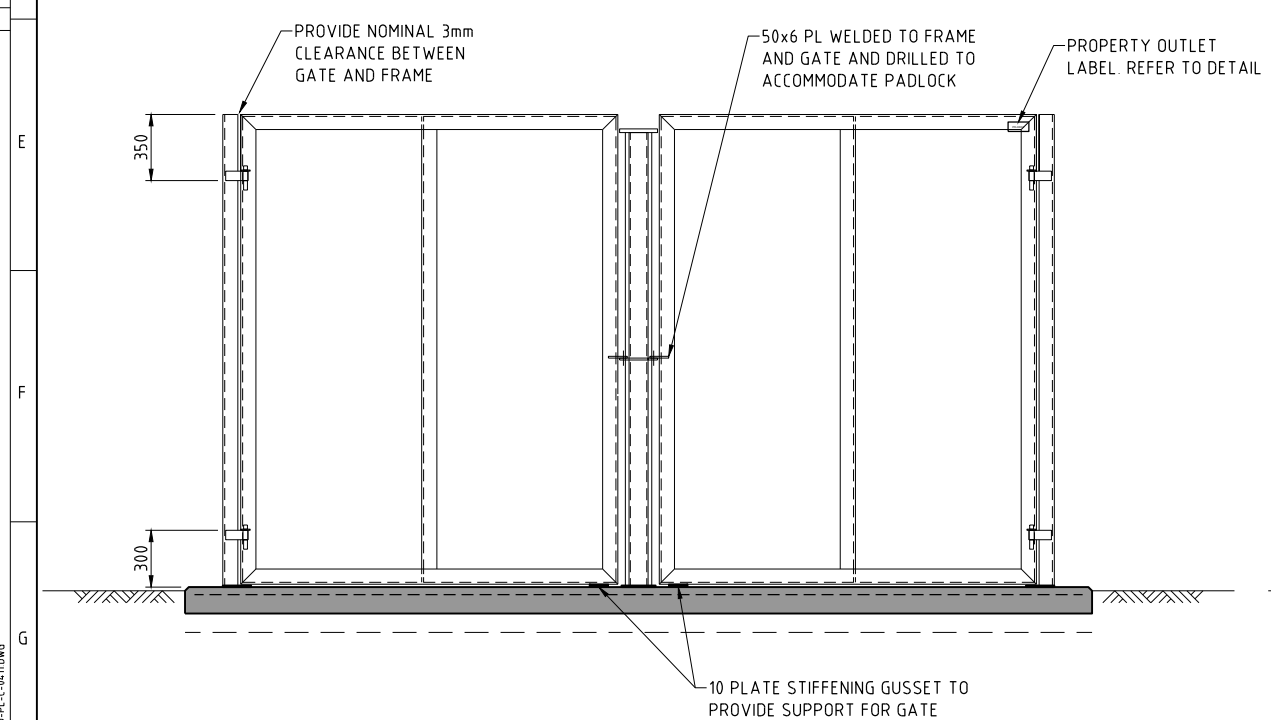
VALVE ENCLOSURE PLAN
SCALE: 120



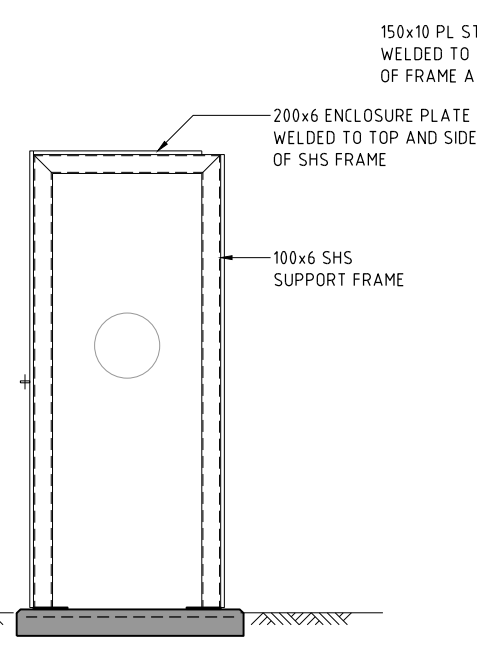
SIMPLIFIED 3D VIEW
NOT TO SCALE

- NOTES:**
- REFER TO DRAWING R0602-R-PBID-PL-G-0002 FOR DRAWING LIST AND LEGEND.
 - REFER TO DRAWING R0602-R-PBID-PL-G-0003 FOR GENERAL NOTES AND SCHEDULES.
 - REFER TO DRAWING R0602-R-PBID-PL-C-0401 FOR DETAILS OF PIPEWORK.
 - ALL FILLET WELD SIZE TO MATCH THINNER PLATE THICKNESS. ALL BUTT WELDS TO BE FULL PENETRATION UNLESS NOTED OTHERWISE. ALL WELDING TO BE IN ACCORDANCE WITH AS1554.
 - CAGE TO BE FABRICATED IN ALUMINIUM.
 - FRAME IS TO BE MADE FROM 80x10 EA.
 - CENTRAL FRAME IS TO BE MADE FROM 100x6 SHS.
 - IN-FILL PANELS TO BE EXPANDED ALUMINIUM MESH, EG. WEBFORGE WMS0080 OR EQUIVALENT.
 - CAGE IS TO BE FULLY INSULATED FOR FROST AND FREEZING PROTECTION. INSULATION TO BE WEATHER PROOFED. THERMAL RESISTANCE OF INSULATION TO BE R0.21 MINIMUM.
 - COLOUR OF INSULATION PANELS TO BE PALE EUCALYPT.

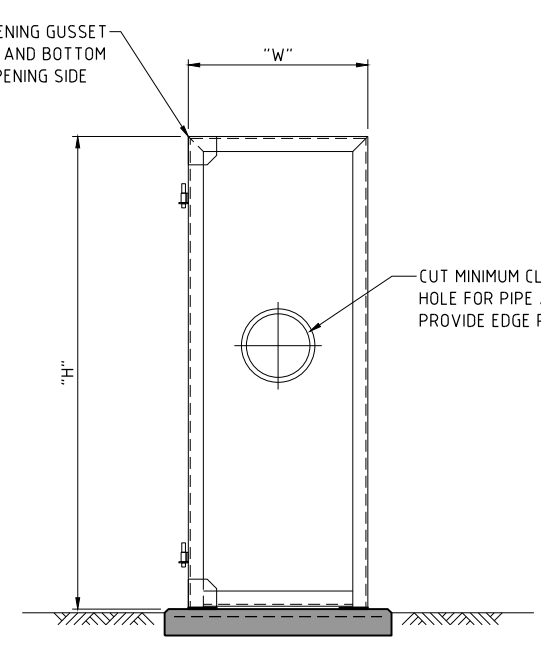
SLAB AND ENCLOSURE SIZES				
PIPE DN	SLAB SIZE (A x B)	ENCLOSURE LENGTH (L)	ENCLOSURE WIDTH (W)	ENCLOSURE HEIGHT (H)
300	5700 x 1200	5300	1000	1800
250	5000 x 1200	4600	1000	1700
200	4400 x 1200	4000	1000	1700
150	3700 x 1200	3400	1000	1600



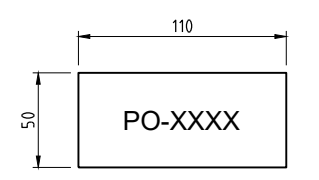
VALVE ENCLOSURE ELEVATION
SCALE: 120



B SECTION
SCALE: 120



A SECTION
SCALE: 120



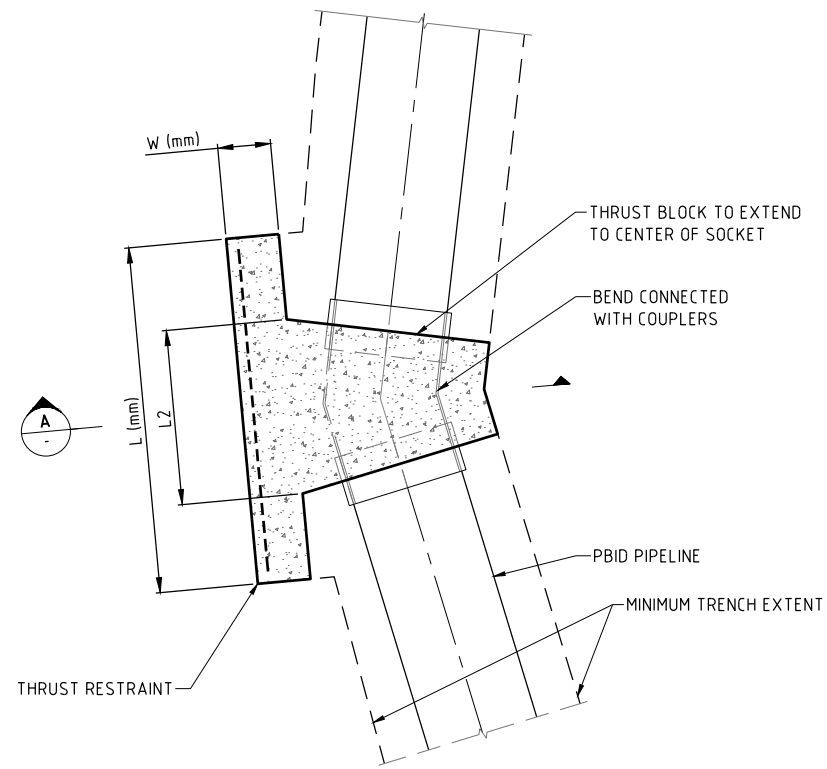
PROPERTY OUTLET LABEL
MAKE FROM 2mm THICK MINIMUM STAINLESS STEEL SHEET. ETCH/ENGRAVE/STAMP IN MINIMUM 10mm HIGH LETTERING. SECURE TO ENCLOSURE IN HIGHLY VISIBLE LOCATION WITH STAINLESS STEEL FASTENERS POST HDG.



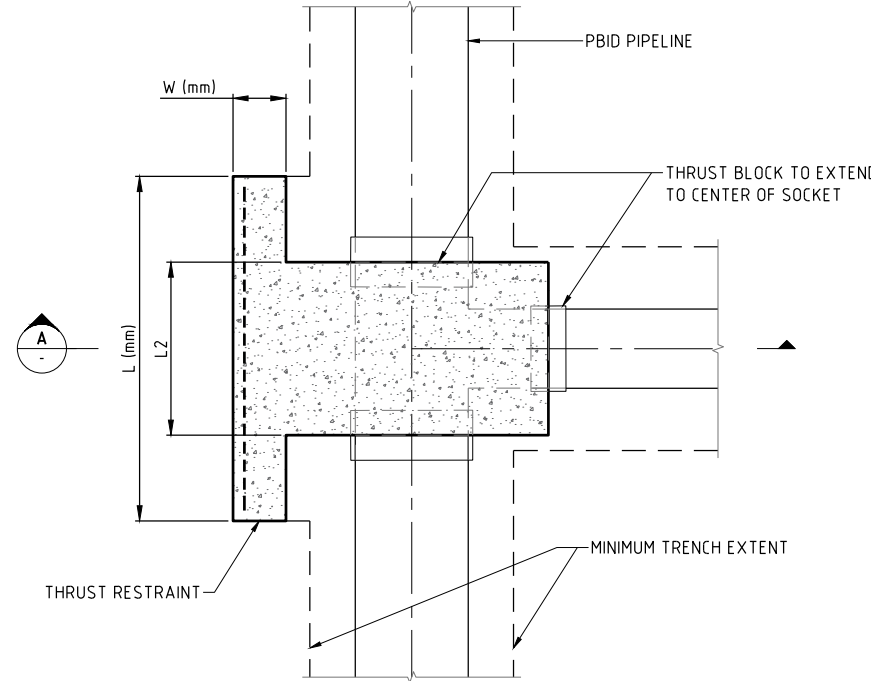
WARNING
BEWARE OF UNDERGROUND SERVICES. THE LOCATIONS OF UNDERGROUND SERVICES ARE APPROXIMATE ONLY AND THEIR EXACT POSITION SHOULD BE PROVEN ON SITE. NO GUARANTEE IS GIVEN THAT ALL EXISTING SERVICES ARE SHOWN

FOR TENDER
NOT FOR CONSTRUCTION

						PARWAN TO BALLIANG IRRIGATION DISTRICT PIPELINE PROPERTY OUTLET ENCLOSURE DETAILS				PLAN TYPE: CIVIL SCALE: 1:20 DRAWING NUMBER: R0602-R-PBID-PL-C-0411 NUMERAL: T0	
DESIGNED	TC	DRAWN	SMB	DESIGN CHECK	ME	DRAFT CHECK	AGS	APPROVED	DAP		
DATE	25.03.21	DAP									
REV	ZONE	DESCRIPTION	DATE	APP'D							
1		ISSUE FOR TENDER									



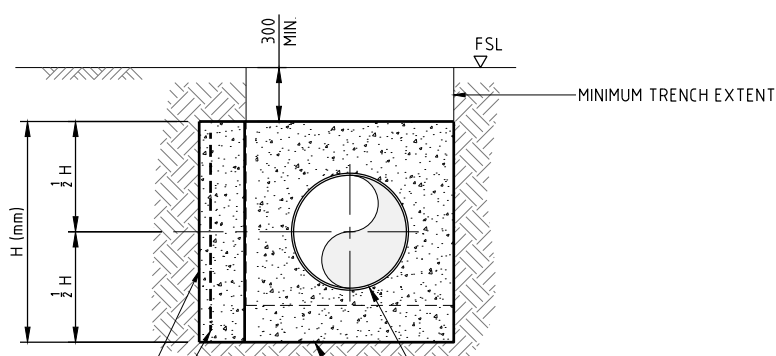
THRUST BLOCK RESTRAINT - GRP BEND PLAN
SCALE: 1:25



THRUST BLOCK RESTRAINT - GRP TEE PLAN
SCALE: 1:25

NOTES:

1. REFER TO DRAWING R0602-R-PBID-PL-G-0002 FOR DRAWING LIST AND LEGEND
2. REFER TO DRAWING R0602-R-PBID-PL-G-0003 FOR GENERAL NOTES AND SCHEDULES
3. ALLOWABLE SOIL BEARING PRESSURE FOR ALL THRUST BLOCKS AND WALLS ASSUMED TO BE 75 kPa. IN-SITU SOIL TESTING TO BE DONE ON SITE TO CONFIRM SOIL BEARING PRESSURE. REFER TO SUPERINTENDENT IF THRUST BLOCK AND/OR WALL SIZES REQUIRE MODIFICATION.
4. THRUST BLOCK AND WALL MATERIAL IS TO BE REINFORCED CONCRETE GRADE N25.



THRUST RESTRAINT AREA (A m²)

STEEL REINFORCING MESH RL1218
MAIN BARS HORIZONTAL
50mm MINIMUM, 100 mm MAXIMUM
COVER TO OUTSIDE FACE

SECTION A
SCALE: 1:25

TABLE 1: THRUST BLOCK SCHEDULE

MARK	CHAINAGE (APPROX)	FITTING TYPE AND SIZE	TEST PRESSURE (kPa)	A (m ²)	L (mm)	H (mm)	W (mm)	L2, MIN (mm)	NOTES
TB-T01	49	DN675-225 GRP TEE	1600	1.35	1500	900	300	1200	PO-001A
TB-T02	1892	DN675-225 GRP TEE	1600	1.35	1500	900	300	1200	PO-001B
TB-T03	2260	DN675-300 GRP TEE	1600	2.28	1900	1200	300	1200	PO-001C
TB-T04	3669	DN600-300 DI TEE	1600	2.25	1500	1500	300	1200	PO-001D REFER DRAWING R0602-R-PBID-PL-C-0311
TB-T05	7400	DN675-225 GRP TEE	1600	1.35	1500	900	300	1200	PO-009
TB-T06	8498	DN600-375 DI TEE	1600	3.06	1750	1750	300	1200	PO-010. REFER DRAWING R0602-R-PBID-PL-C-0313
SCOUR TEES	VARIOUS	SCOUR TEE WITH DN150 OFFTAKE	1600	0.60	1000	600	300	1200	
TB-B01	2260	DN675 GRP 90° BEND	1600	13.30	4750	2800	400	3850	
TB-B02	4076	DN675 GRP 90° BEND	1600	13.30	4750	2800	400	3850	
TB-B03	4834	DN675 GRP 45° BEND	1600	7.35	3500	2100	300	1800	
TB-B04	4853	DN675 GRP 45° BEND	1600	7.35	3500	2100	300	1800	
TB-B05	7993	DN675 GRP 22.5° BEND	1600	3.75	2500	1500	300	1200	
TB-B06	8014	DN675 GRP 22.5° BEND	1600	3.75	2500	1500	300	1200	

0 0.25 0.5 1.0 1.5
Full Size A1 1:25, Half Reduction A3 1:50
SCALE (m)



WARNING
BEWARE OF UNDERGROUND SERVICES. THE LOCATIONS OF UNDERGROUND SERVICES ARE APPROXIMATE ONLY AND THEIR EXACT POSITION SHOULD BE PROVEN ON SITE. NO GUARANTEE IS GIVEN THAT ALL EXISTING SERVICES ARE SHOWN

FOR TENDER
NOT FOR CONSTRUCTION

CAD FILE NAME: \\BECA.NET\PROJECTS\5858\584391\CAD\R0602-R-PBID-PL-C-051.DWG

DESIGNED	CD	DRAWN	JB	
DESIGN CHECK	LS	DRAFT CHECK	AGS	
APPROVED	DAP			
REV	ZONE	DESCRIPTION	DATE	APP'D
T0		ISSUE FOR TENDER	25.03.21	DAP



DESIGNED CD
DRAWN JB
DESIGN CHECK LS
DRAFT CHECK AGS
APPROVED DAP

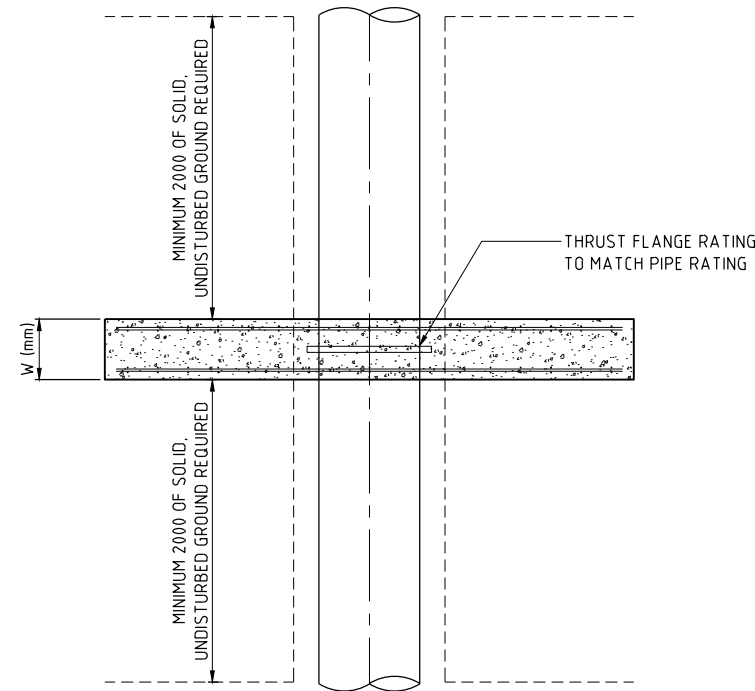


PARWAN TO BALLIANG IRRIGATION DISTRICT PIPELINE
THRUST BLOCK DETAILS

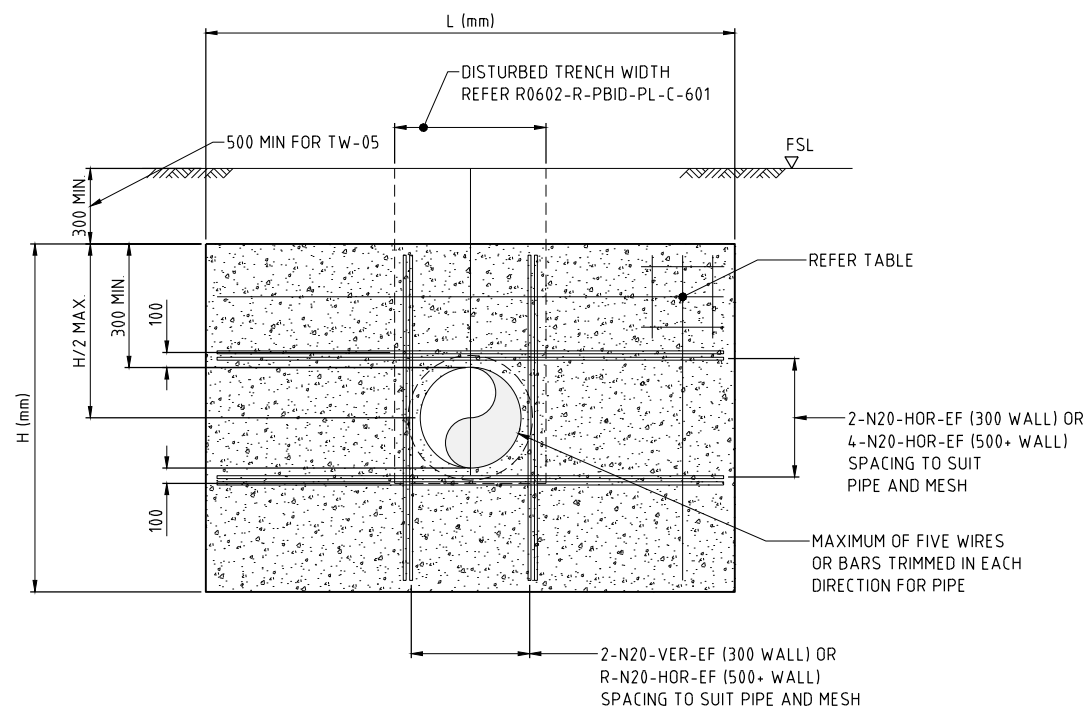
PLAN TYPE:	CIVIL
SCALE:	1:25
DRAWING NUMBER	
R0602-R-PBID-PL-C-0501	T0
NUMERAL	REV

NOTES:

1. REFER TO DRAWING R0602-R-PBID-PL-G-0002 FOR DRAWING LIST AND LEGEND.
2. REFER TO DRAWING R0602-R-PBID-PL-G-0003 FOR GENERAL NOTES AND SCHEDULES.
3. ALLOWABLE SOIL BEARING PRESSURE FOR ALL THRUST BLOCKS AND WALLS ASSUMED TO BE 75 kPa. IN-SITU SOIL TESTING TO BE DONE ON SITE TO CONFIRM SOIL BEARING PRESSURE. REFER TO SUPERINTENDENT IF THRUST BLOCK AND/OR WALL SIZES REQUIRE MODIFICATION.
4. THRUST BLOCK AND WALL MATERIAL IS TO BE REINFORCED CONCRETE GRADE N25. MINIMUM CONCRETE COVER 75mm.
5. MAXIMUM PIPE TEMPERATURE WHEN PE PIPE IS CONNECTED SHALL BE < 20°C.

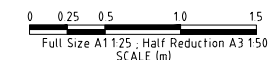


IN-LINE THRUST WALL - PLAN
SCALE 1:25



IN-LINE THRUST WALL ELEVATION
SCALE 1:25

MARK	CHAINAGE (APPROX)	PIPE SIZE AND TYPE	TEST PRESSURE (kPa)	A (m ²)	L (mm)	H (mm)	W (mm)	REINFORCING	NOTES
TW-01	3669	DN600 DI SPOOL	1600	10.11	5000	2500	600	N16-200 EW, EF	ISOLATION VALVE 1 REFER DRAWING R0602-R-PBID-PL-C-0311
TW-02	5320	DN600 DI SPOOL	1600	10.11	5000	2500	600	N16-200 EW, EF	ISOLATION VALVE 2 REFER DRAWING R0602-R-PBID-PL-C-0312
TW-03	8498	DN600 DI SPOOL	1600	10.11	5000	2500	600	N16-200 EW, EF	ISOLATION VALVE 3 REFER DRAWING R0602-R-PBID-PL-C-0313
TW-04	10496	DN600 DI SPOOL	1600	7.90	4500	2200	600	N16-200 EW, EF	ISOLATION VALVE 4 - GRP BRANCH - REFER DRAWING R0602-R-PBID-PL-C-0314
TW-05	10496	OD630 PE	1600	11.64	5500	2500	700	N16-150 EW, EF	ISOLATION VALVE 4 - PE BRANCH - REFER DRAWING R0602-R-PBID-PL-C-0314
TW-06	4076	OD400 PE	1600	4.89	3100	1900	500	N16-200 EW, EF	PO-008: SINGLE WALL ON ISOLATION VALVE
TW-07	4076	OD400 PE	1600	3.44	2700	1600	500	N16-200 EW, EF	PO-008: SINGLE WALL AT PIPE END
TW-08	8175	OD125 PE	1600	0.32	900	500	400	2/SL102 MESH EF	CFA OFFTAKE: DUPLICATE WALLS AT TEE AND OFFTAKE
TW-09	8491	OD400 PE	1600	3.44	2700	1600	500	N16-200 EW, EF	PO-002: DUPLICATE WALLS AT TEE AND OFFTAKE
TW-10	11452	OD500 PE	1600	5.39	3300	2000	500	N16-200 EW, EF	PO-004: SINGLE WALL AT OFFTAKE
TW-11	12848	OD280 PE	1600	1.79	1900	1200	400	2/SL102 MESH EF	PO-006: SINGLE WALL AT OFFTAKE
TW-12	13612	OD280 PE	1600	1.79	1900	1200	400	2/SL102 MESH EF	PO-007: SINGLE WALL AT OFFTAKE



The Essential First Step.

WARNING
BEWARE OF UNDERGROUND SERVICES. THE LOCATIONS OF UNDERGROUND SERVICES ARE APPROXIMATE ONLY AND THEIR EXACT POSITION SHOULD BE PROVEN ON SITE. NO GUARANTEE IS GIVEN THAT ALL EXISTING SERVICES ARE SHOWN

FOR TENDER
NOT FOR CONSTRUCTION

CAD FILE NAME: P:\681558483\ACAD\0602-R-PBID-PL-C-0502.DWG

DESIGNED	CD	DRAWN	JB	
DESIGN CHECK	LS	DRAFT CHECK	AGS	
APPROVED	DAP			
T0	ISSUE FOR TENDER	25.03.21	DAP	
REV	ZONE	DESCRIPTION	DATE	APP'D

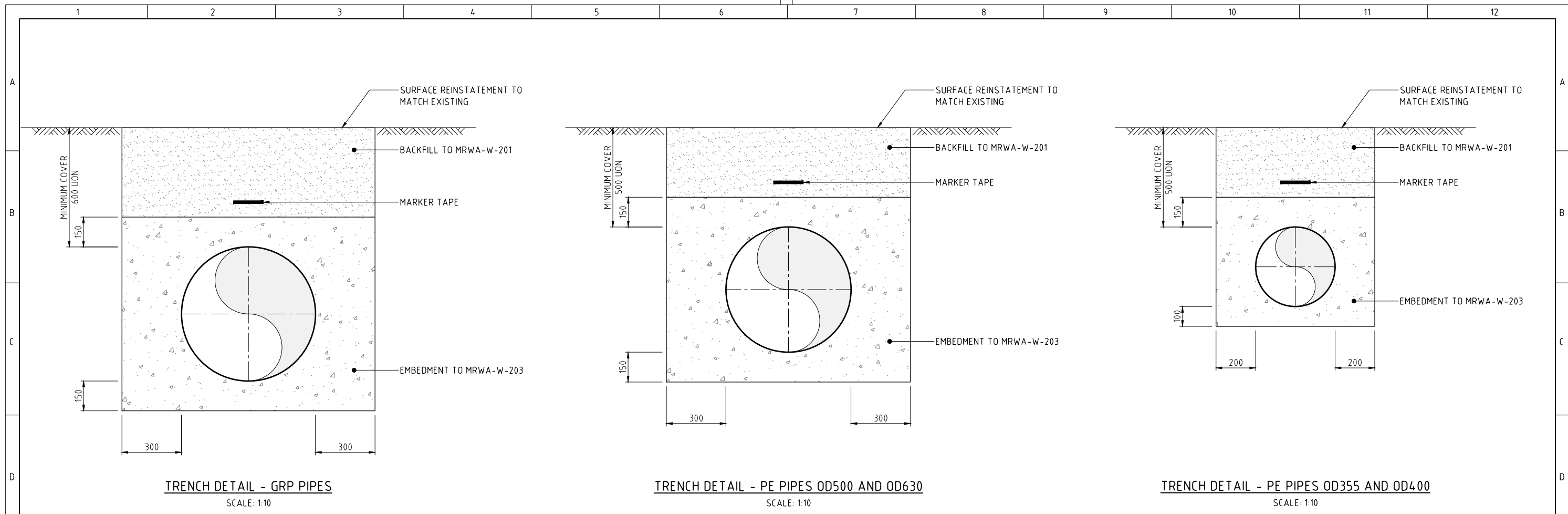


DESIGNED	CD	DRAWN	JB
DESIGN CHECK	LS	DRAFT CHECK	AGS
APPROVED	DAP		



PARWAN TO BALLIANG IRRIGATION DISTRICT PIPELINE
THRUST WALL DETAILS

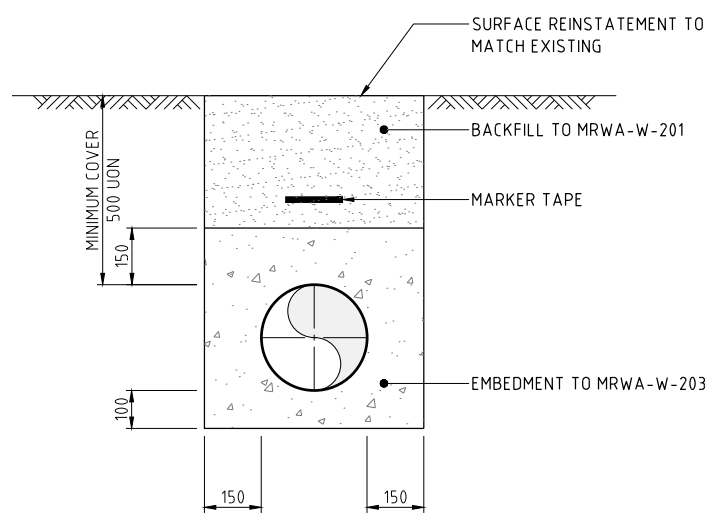
PLAN TYPE:	CIVIL
SCALE:	1:25
DRAWING NUMBER	
R0602-R-PBID-PL-C-0502	T0
NUMERAL	REV



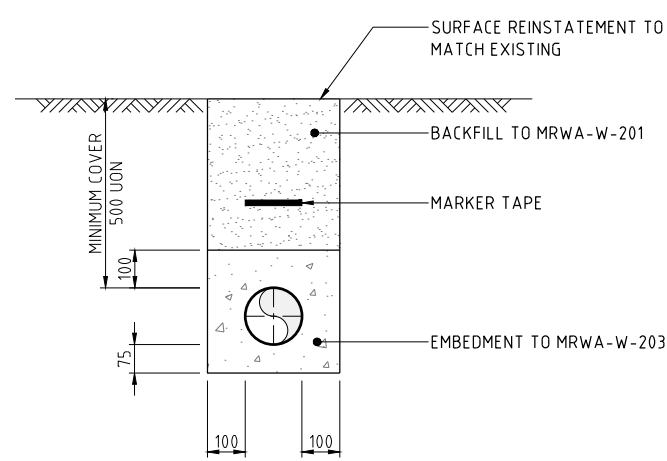
TRENCH DETAIL - GRP PIPES
SCALE: 1:10

TRENCH DETAIL - PE PIPES OD500 AND OD630
SCALE: 1:10

TRENCH DETAIL - PE PIPES OD355 AND OD400
SCALE: 1:10



TRENCH DETAIL - PE PIPES OD180 AND OD280
SCALE: 1:10



TRENCH DETAIL - PE PIPES OD < 150
SCALE: 1:10

- NOTES:**
- REFER TO DRAWING R0602-R-PBID-PL-G-0002 FOR DRAWING LIST AND LEGEND.
 - REFER TO DRAWING R0602-R-PBID-PL-G-0003 FOR GENERAL NOTES AND SCHEDULES.
 - BACKFILL TO BE ORDINARY FILL AS PER MRWA-W-201 UNLESS OTHERWISE NOTED ON THE LONGITUDINAL SECTION DRAWINGS.
 - EMBEDMENT BACKFILL TO BE "TYPE A" AS PER MRWA-W-203 UNLESS OTHERWISE NOTED ON THE LONGITUDINAL SECTION DRAWINGS.



WARNING
BEWARE OF UNDERGROUND SERVICES. THE LOCATIONS OF UNDERGROUND SERVICES ARE APPROXIMATE ONLY AND THEIR EXACT POSITION SHOULD BE PROVEN ON SITE. NO GUARANTEE IS GIVEN THAT ALL EXISTING SERVICES ARE SHOWN

FOR TENDER
NOT FOR CONSTRUCTION

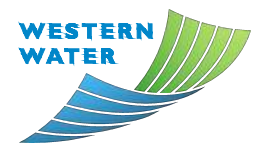


CAD FILE NAME: \BECA\NET\PROJECTS\584\584\391\CAD\R0602-R-PBID-PL-C-0601.DWG

DESIGNED	CD	DRAWN	JB
DESIGN CHECK	LS	DRAFT CHECK	AGS
APPROVED	DAP		
TO	ISSUE FOR TENDER	25.03.21	DAP
REV	ZONE	DESCRIPTION	DATE



DESIGNED	CD	DRAWN	JB
DESIGN CHECK	LS	DRAFT CHECK	AGS
APPROVED	DAP		



PARWAN TO BALLIANG IRRIGATION DISTRICT PIPELINE
TRENCH DETAILS

PLAN TYPE:	CIVIL
SCALE:	1:10
DRAWING NUMBER	
R0602-R-PBID-PL-C-0601	T0
NUMERAL	REV