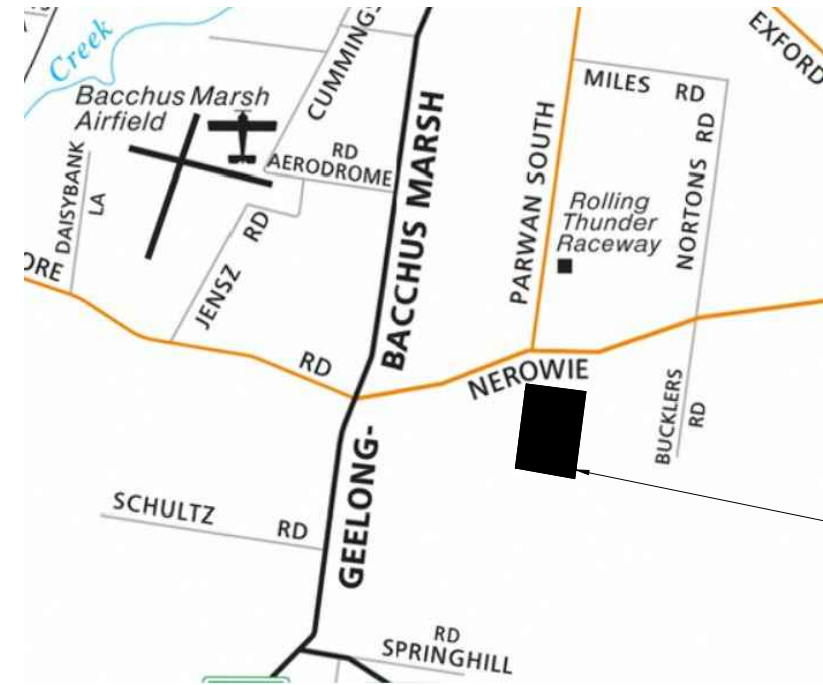


PARWAN-BALLIANG IRRIGATION DISTRICT STORAGE POND FUNCTIONAL DESIGN



LOCATION OF
PARWAN-BALLIANG
IRRIGATION DISTRICT
STORAGE POND

LOCALITY PLAN
SCALE:- NTS

DRAWING LIST - STORAGE POND	
DRAWING No	DRAWING TITLE
R0602-R-PBID-ST-G-0001	COVER SHEET, DRAWING LIST AND GENERAL NOTES
R0602-R-PBID-ST-C-0001	SITE LAYOUT
R0602-R-PBID-ST-C-0002	CROSS SECTIONS AND DETAILS



The Essential First Step.

WARNING
BEWARE OF UNDERGROUND SERVICES. THE LOCATIONS OF UNDERGROUND SERVICES ARE APPROXIMATE ONLY AND THEIR EXACT POSITION SHOULD BE PROVEN ON SITE. NO GUARANTEE IS GIVEN THAT ALL EXISTING SERVICES ARE SHOWN.

PRELIMINARY
NOT FOR CONSTRUCTION

REV	ZONE	DESCRIPTION	DATE	APP'D
P1		FUNCTIONAL DESIGN	16.10.20	DAP
P0		ISSUED FOR REVIEW	29.06.20	DAP



DESIGNED MS	DRAWN VK
DESIGN CHECK NK	DRAFT CHECK PH
APPROVED DP	



PARWAN-BALLIANG IRRIGATION DISTRICT
STORAGE POND
COVER SHEET, DRAWING LIST AND GENERAL NOTES

PLAN TYPE:	GENERAL
SCALE:	NTS
DRAWING NUMBER	
R0602-R-PBID-ST-G-0001	P1
NUMERAL	REV



- NOTES**
- FOR COVER SHEET, DRAWING LIST AND GENERAL NOTES REFER TO DRAWING R0602-R-PBID-ST-G-0001.
 - DISSIPATION STRUCTURE. REINFORCED CONCRETE CHANNEL WITH STAINLESS STEEL PLATE BAFFLES.

- LEGEND**
- W — W — EXISTING WATER MAIN
 - RW — RW — EXISTING RECYCLED WATER MAIN
 - FO — FO — EXISTING FIBRE OPTIC
 - T — T — EXISTING TELSTRA
 - // — // — EXISTING SECURITY FENCE
 - / — / — PROPOSED LIVE STOCK FENCE
 - D — D — PROPOSED STORMWATER DRAIN (OPEN CHANNEL, GRASS LINED)
 - — — STORAGE FULL SUPPLY LEVEL
 - RW — RW — PROPOSED RECYCLED WATER MAIN
 - RW — RW — PROPOSED RECYCLED WATER PIPE BY OTHERS

GENERAL LAYOUT
SCALE 1:2000

0 20 40 80 120
Full Size A1 1:2000 ; Half Reduction A3 1:4000
SCALE (m)



WARNING
BEWARE OF UNDERGROUND SERVICES. THE LOCATIONS OF UNDERGROUND SERVICES ARE APPROXIMATE ONLY AND THEIR EXACT POSITION SHOULD BE PROVEN ON SITE. NO GUARANTEE IS GIVEN THAT ALL EXISTING SERVICES ARE SHOWN.

PRELIMINARY
NOT FOR CONSTRUCTION

REV	ZONE	DESCRIPTION	DATE	APP'D
P1		FUNCTIONAL DESIGN	16.10.20	DAP
P0		ISSUED FOR REVIEW	29.06.20	DAP



DESIGNED MS	DRAWN VK
DESIGN CHECK NK	DRAFT CHECK PH
APPROVED DP	



PARWAN-BALLIANG IRRIGATION DISTRICT
STORAGE POND
GENERAL LAYOUT

PLAN TYPE:	CIVIL
SCALE:	1:2000
DRAWING NUMBER	
R0602-R-PBID-ST-C-0001	P1
NUMERAL	REV

CAD FILE NAME: C:\USERS\PHATKHAMBAR\APPDATA\LOCAL\PROJECTWISE\JACOBS_ANZ\IE\003\2020\10602-R-PBID-ST-C-001.DWG
Plotted 10/26/2020 11:29 AM by Phatkhambar

1 2 3 4 5 6 7 8 9 10 11 12

A

B

C

D

E

F

G

H

A

B

C

D

E

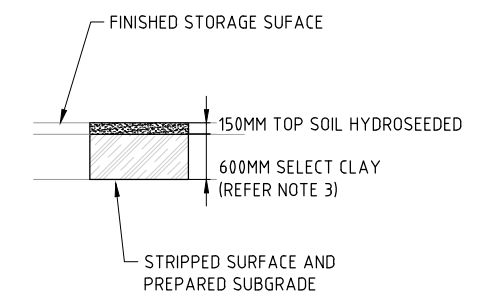
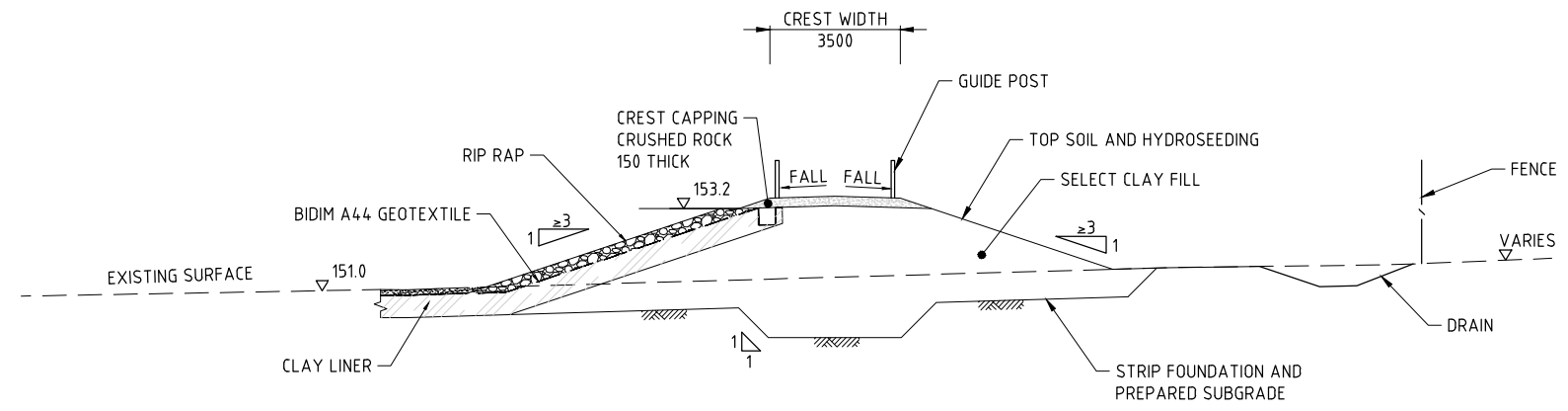
F

G

H

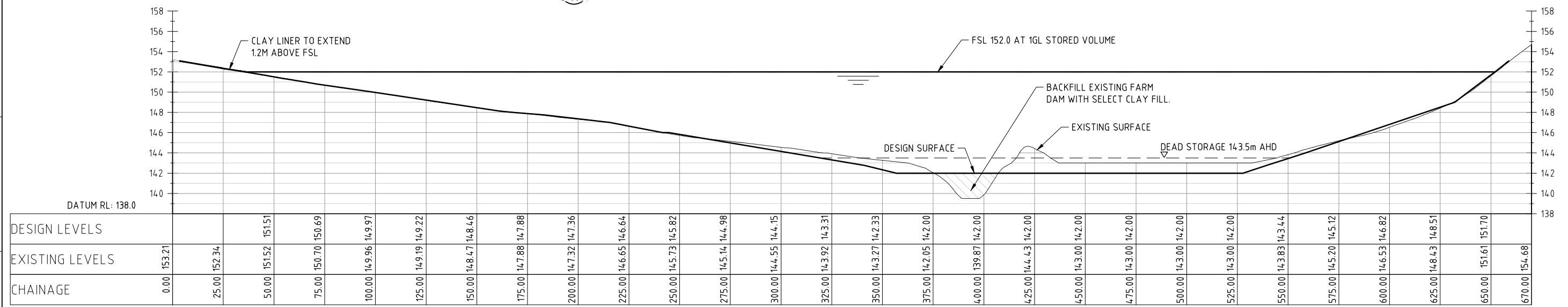
NOTES

1. FSL-FULL SUPPLY LEVEL.
2. SELECT CLAY FILL SHALL CONSIST OF CLAY, SILTY CLAY OR SANDY CLAY MATERIAL, AS DEFINED IN AS1726, FROM IN-SITU BORROW SOURCES OR IMPORTED. SELECT CLAY SHALL BE MOISTURE CONDITIONED AND COMPACTED IN LAYERS.
3. FOR CLAY LINER IN-SITU CLAY SOURCES SHALL BE TREATED WITH 3% LIME OR GYPSUM.

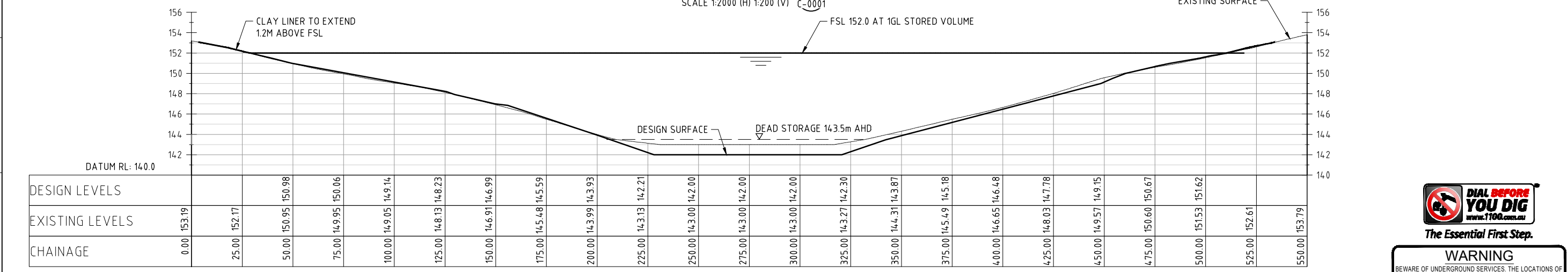


SECTION C
SCALE 1:100 C-0001

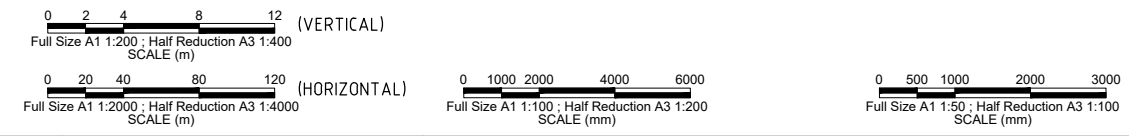
TYPICAL DETAIL FOR CLAY LINER
SCALE 1:50



SECTION A
SCALE 1:2000 (H) 1:200 (V) A-0001



SECTION B
SCALE 1:2000 (H) 1:200 (V) B-0001



WARNING
BEWARE OF UNDERGROUND SERVICES. THE LOCATIONS OF UNDERGROUND SERVICES ARE APPROXIMATE ONLY AND THEIR EXACT POSITION SHOULD BE PROVEN ON SITE. NO GUARANTEE IS GIVEN THAT ALL EXISTING SERVICES ARE SHOWN.

PRELIMINARY
NOT FOR CONSTRUCTION

REV	ZONE	DESCRIPTION	DATE	APP'D
P1		FUNCTIONAL DESIGN	16.10.20	DAP
P0		ISSUED FOR REVIEW	29.06.20	DAP



DESIGNED MS	DRAWN VK
DESIGN CHECK NK	DRAFT CHECK PH
APPROVED DP	



PARWAN-BALLIANG IRRIGATION DISTRICT
STORAGE POND
CROSS SECTIONS AND DETAILS

PLAN TYPE:	CIVIL
SCALE:	AS SHOWN
DRAWING NUMBER	
R0602-R-PBID-ST-C-0002	P1
NUMERAL	REV

CAD FILE NAME: C:\USERS\RAZASHP\LOCAL PROJECT\WSE\JACOBS_ANZ_E\0021073\RM002-R-PBID-ST-C-0002.DWG