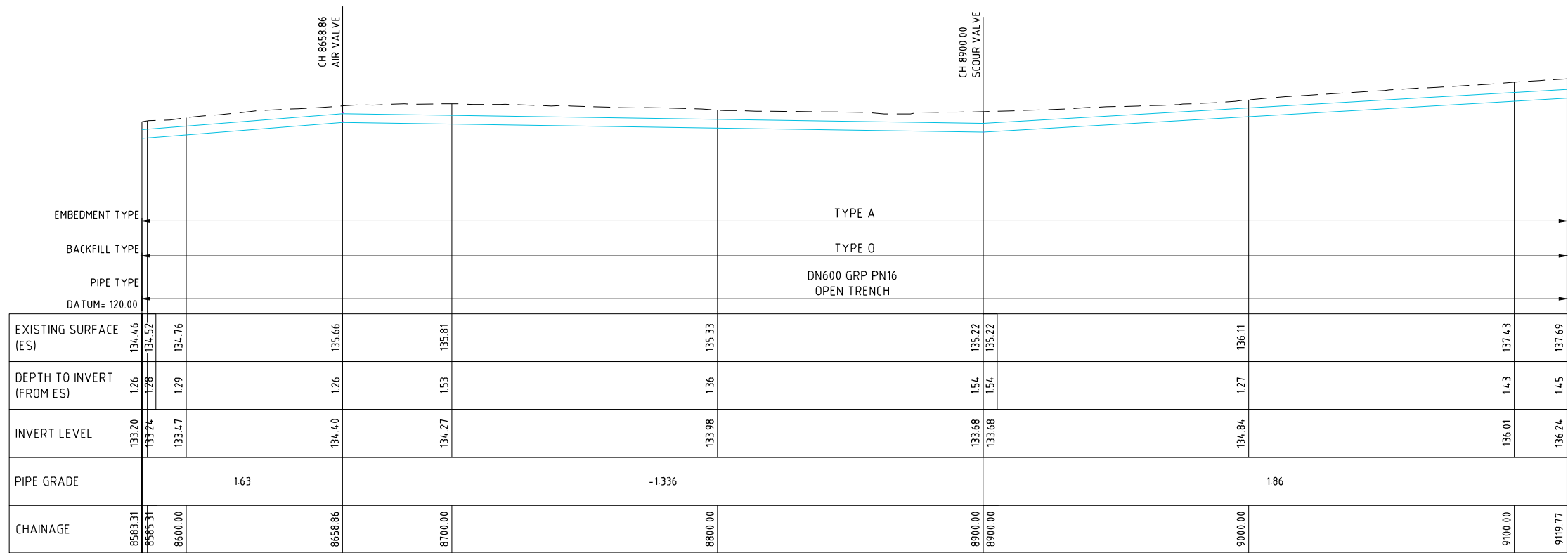


- NOTES:**
- REFER TO DRAWING R0583-R-M2BM-0002 FOR DRAWING LIST AND LEGEND.
 - REFER TO DRAWING R0583-R-M2BM-0005 FOR GENERAL NOTES AND SCHEDULES.



SETOUT POINT (SP) COORDINATE SCHEDULE			
ID	CHAINAGE	EASTING	NORTHING
SP31	8658.86	279794.883	5819285.279
SP32	8900.00	279565.510	5819359.690



WARNING
BEWARE OF UNDERGROUND SERVICES. THE LOCATIONS OF UNDERGROUND SERVICES ARE APPROXIMATE ONLY AND THEIR EXACT POSITION SHOULD BE PROVEN ON SITE. NO GUARANTEE IS GIVEN THAT ALL EXISTING SERVICES ARE SHOWN

FOR TENDER
NOT FOR CONSTRUCTION



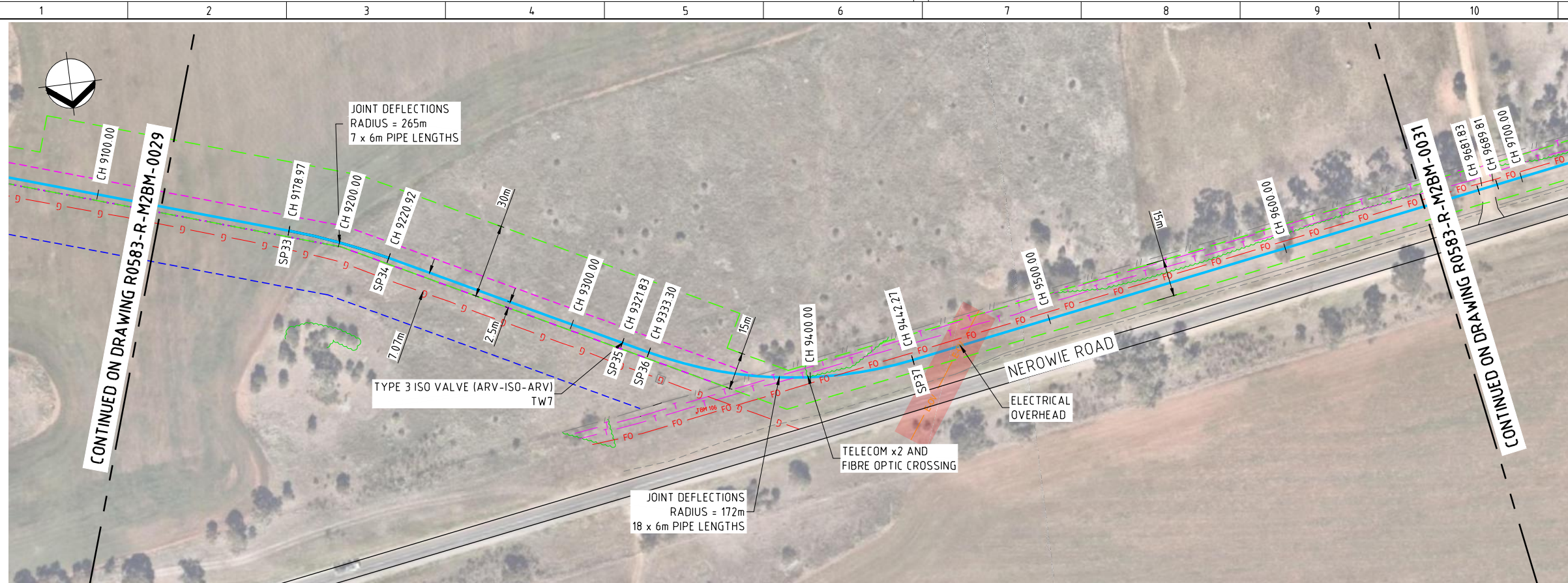
CAD FILE NAME: P:\058\0583652\CAD\REF\X-658352\CIVIL - MAIN WORKS.DWG

DESIGNED	SH	DRAWN	SH
DESIGN CHECK	PA	DRAFT CHECK	AGS
APPROVED	DAP		

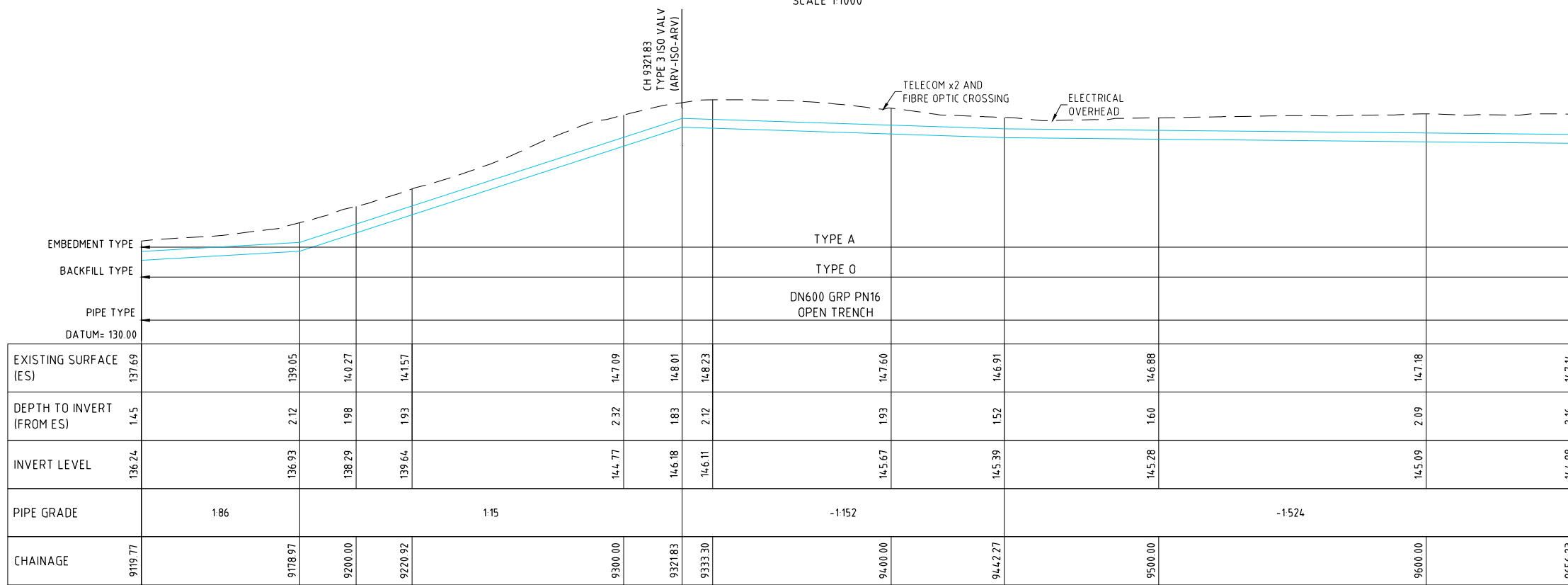


R0583 - MELTON TO BACCHUS MARSH
PLAN AND LONGITUDINAL SECTION
SHEET 19 OF 25

PLAN TYPE:	CIVIL
SCALE:	AS SHOWN
DRAWING NUMBER	
R0583-R-M2BM-0029	T0
NUMERAL	REV



- NOTES:**
- REFER TO DRAWING R0583-R-M2BM-0002 FOR DRAWING LIST AND LEGEND.
 - REFER TO DRAWING R0583-R-M2BM-0005 FOR GENERAL NOTES AND SCHEDULES.



SETOUT POINT (SP) COORDINATE SCHEDULE

ID	CHAINAGE	EASTING	NORTHING
SP33	9178.97	279300.156	5819445.774
SP34	9220.92	279261.439	5819461.819
SP35	9321.83	279171.666	5819507.896
SP36	9333.30	279161.461	5819513.145
SP37	9442.27	279055.590	5819529.678



WARNING
BEWARE OF UNDERGROUND SERVICES. THE LOCATIONS OF UNDERGROUND SERVICES ARE APPROXIMATE ONLY AND THEIR EXACT POSITION SHOULD BE PROVEN ON SITE. NO GUARANTEE IS GIVEN THAT ALL EXISTING SERVICES ARE SHOWN

FOR TENDER
NOT FOR CONSTRUCTION

CAD FILE NAME: \\BECANET\PROJECTS\58458352\CAD\REF\58458352\CIVIL_3D - MAIN WORKS.DWG

TO	ISSUED FOR TENDER	12.06.20	DAP
REV	ZONE	DESCRIPTION	DATE

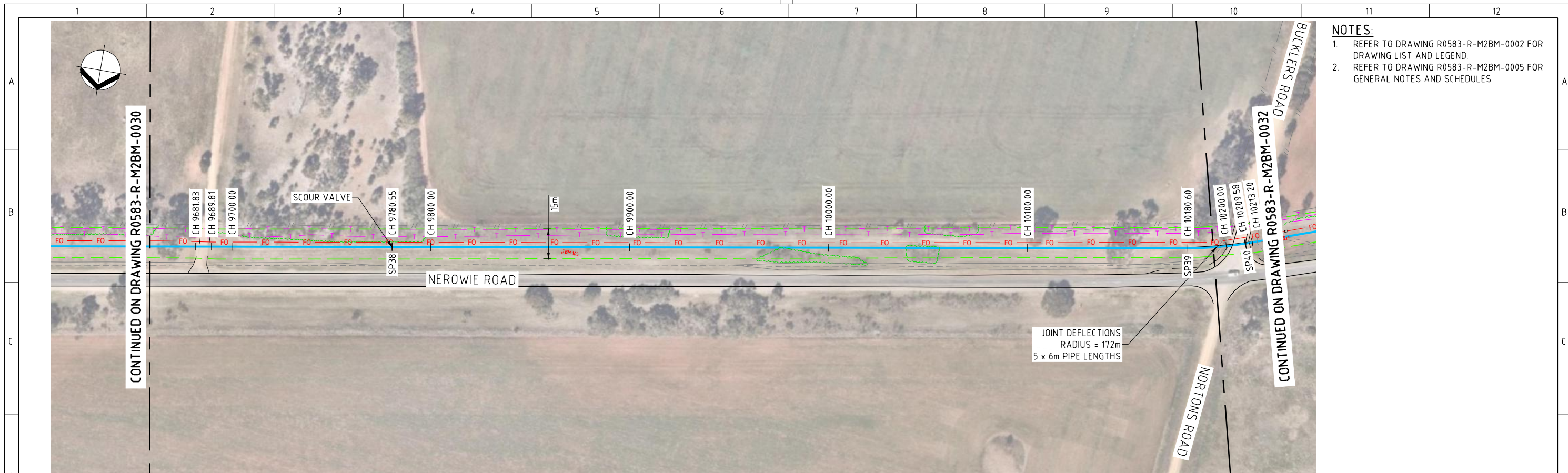


DESIGNED: SH
DRAWN: SH
DESIGN CHECK: PA
DRAFT CHECK: AGS
APPROVED: DAP



R0583 - MELTON TO BACCHUS MARSH
PLAN AND LONGITUDINAL SECTION
SHEET 20 OF 25

PLAN TYPE:	CIVIL
SCALE:	AS SHOWN
DRAWING NUMBER	
R0583-R-M2BM-0030	T0
NUMERAL	REV



PLAN
SCALE 1:1000

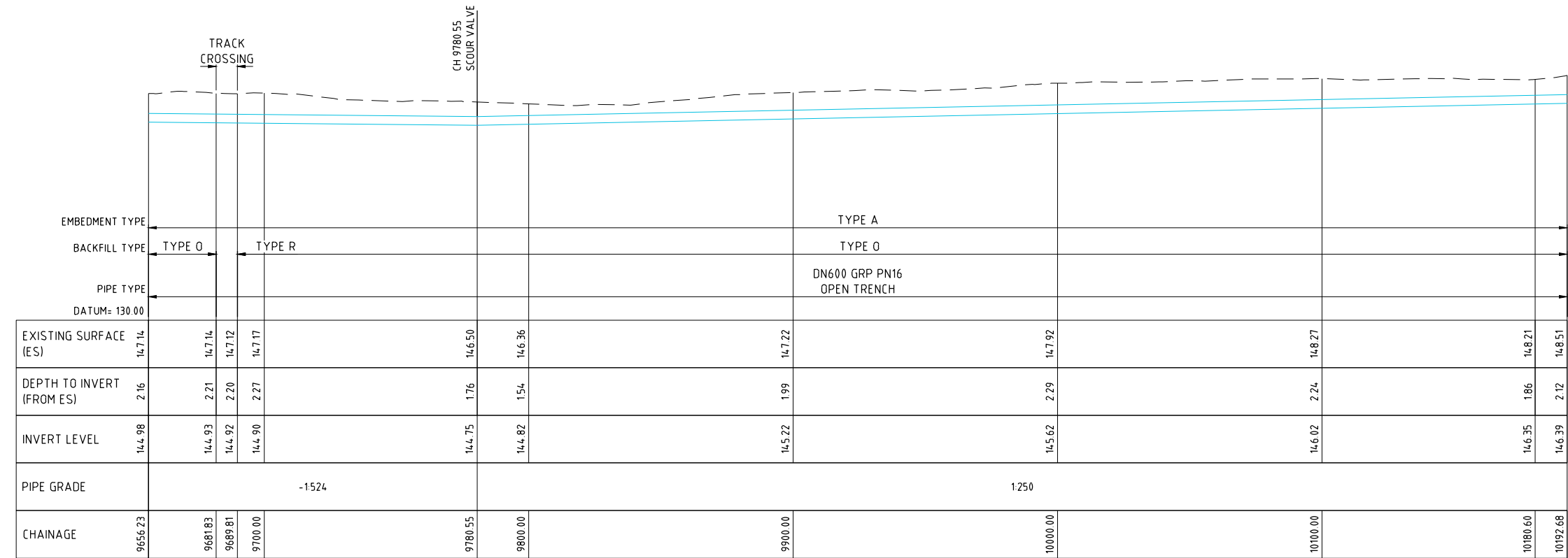
- NOTES:**
- REFER TO DRAWING R0583-R-M2BM-0002 FOR DRAWING LIST AND LEGEND.
 - REFER TO DRAWING R0583-R-M2BM-0005 FOR GENERAL NOTES AND SCHEDULES.

CONTINUED ON DRAWING R0583-R-M2BM-0030

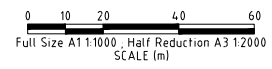
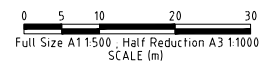
CONTINUED ON DRAWING R0583-R-M2BM-0032

JOINT DEFLECTIONS
RADIUS = 172m
5 x 6m PIPE LENGTHS

SETOUT POINT (SP) COORDINATE SCHEDULE			
ID	CHAINAGE	EASTING	NORTHING
SP38	9780.55	278721.928	58194.73.997
SP39	10180.60	278327.340	58194.08.131



LONGITUDINAL SECTION
HORIZONTAL SCALE 1:1000
VERTICAL SCALE 1:500



WARNING
BEWARE OF UNDERGROUND SERVICES. THE LOCATIONS OF UNDERGROUND SERVICES ARE APPROXIMATE ONLY AND THEIR EXACT POSITION SHOULD BE PROVEN ON SITE. NO GUARANTEE IS GIVEN THAT ALL EXISTING SERVICES ARE SHOWN

FOR TENDER
NOT FOR CONSTRUCTION

CAD FILE NAME: \\BECANET\PROJECTS\58458352\CAD\REF\A-658352\CIVIL_3D - MAIN WORKS.DWG

TO	ISSUED FOR TENDER	12.06.20	DAP	
REV	ZONE	DESCRIPTION	DATE	APP'D
1				
2				
3				

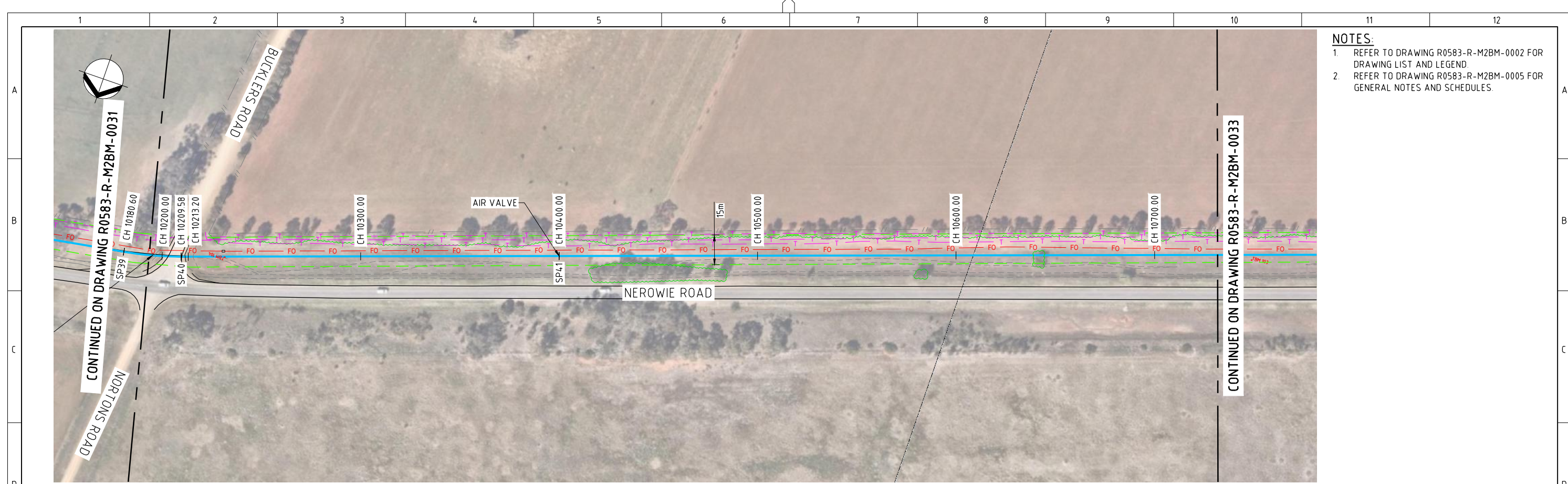


DESIGNED SH	DRAWN SH
DESIGN CHECK PA	DRAFT CHECK AGS
APPROVED DAP	



R0583 - MELTON TO BACCHUS MARSH
PLAN AND LONGITUDINAL SECTION
SHEET 21 OF 25

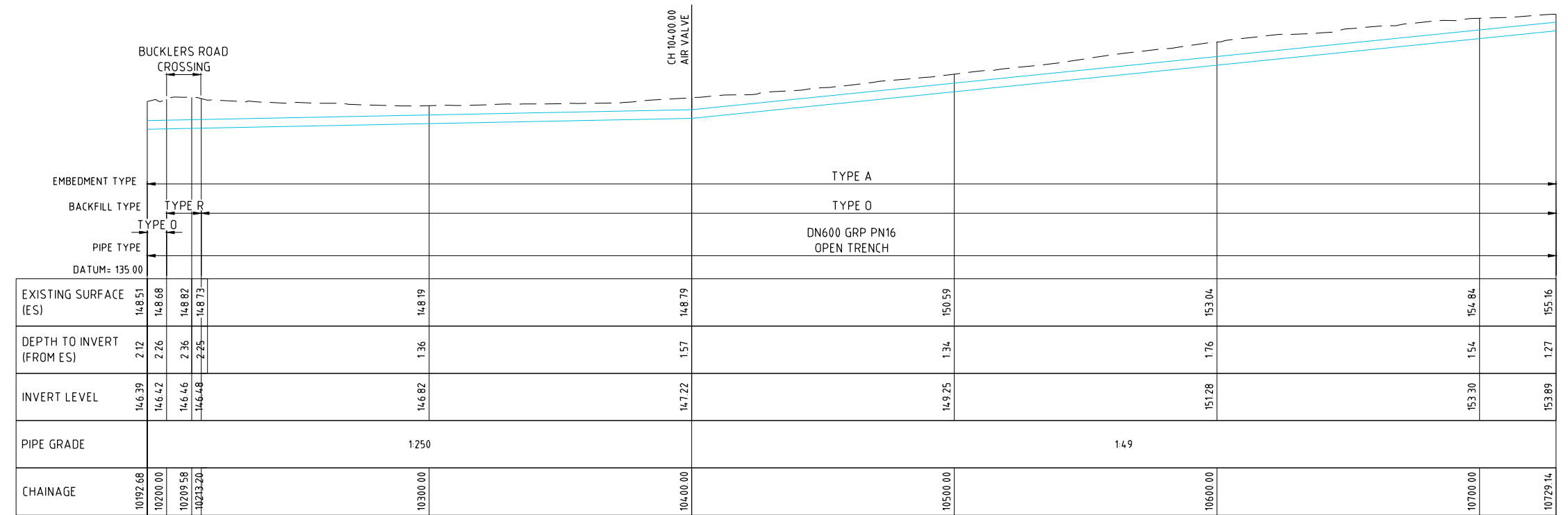
PLAN TYPE:	CIVIL
SCALE:	AS SHOWN
DRAWING NUMBER	
R0583-R-M2BM-0031	T0
NUMERAL	REV



- NOTES:**
- REFER TO DRAWING R0583-R-M2BM-0002 FOR DRAWING LIST AND LEGEND.
 - REFER TO DRAWING R0583-R-M2BM-0005 FOR GENERAL NOTES AND SCHEDULES.

PLAN
SCALE 1:1000

SETOUT POINT (SP) COORDINATE SCHEDULE			
ID	CHAINAGE	EASTING	NORTHING
SP40	10209.58	278299.285	58194.00.998
SP41	10400.00	278119.486	5819338.285



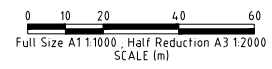
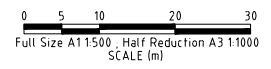
LONGITUDINAL SECTION
HORIZONTAL SCALE 1:1000
VERTICAL SCALE 1:500

EXISTING SURFACE (ES)	DEPTH TO INVERT (FROM ES)	INVERT LEVEL	PIPE GRADE	CHAINAGE
148.51	2.12	146.39	1:250	10192.68
148.68	2.26	146.42		10200.00
148.82	2.36	146.46		10209.58
148.73	2.25	146.48		10213.20
148.79	1.57	147.22	1:49	10400.00
150.59	1.34	149.25		10500.00
153.04	1.76	151.28		10600.00
154.84	1.54	153.30		10700.00
155.16	1.27	153.89		10729.14



WARNING
BEWARE OF UNDERGROUND SERVICES. THE LOCATIONS OF UNDERGROUND SERVICES ARE APPROXIMATE ONLY AND THEIR EXACT POSITION SHOULD BE PROVEN ON SITE. NO GUARANTEE IS GIVEN THAT ALL EXISTING SERVICES ARE SHOWN

FOR TENDER
NOT FOR CONSTRUCTION



CAD FILE NAME: \\BECA\NET\PROJECTS\R0583\B2\CAD\REF\A-6586352\CIVIL_3D - MAIN WORKS.DWG

TO	ISSUED FOR TENDER	DATE	DAP	
REV	ZONE	DESCRIPTION	DATE	APP'D



DESIGNED SH	DRAWN SH
DESIGN CHECK PA	DRAFT CHECK AGS
APPROVED DAP	



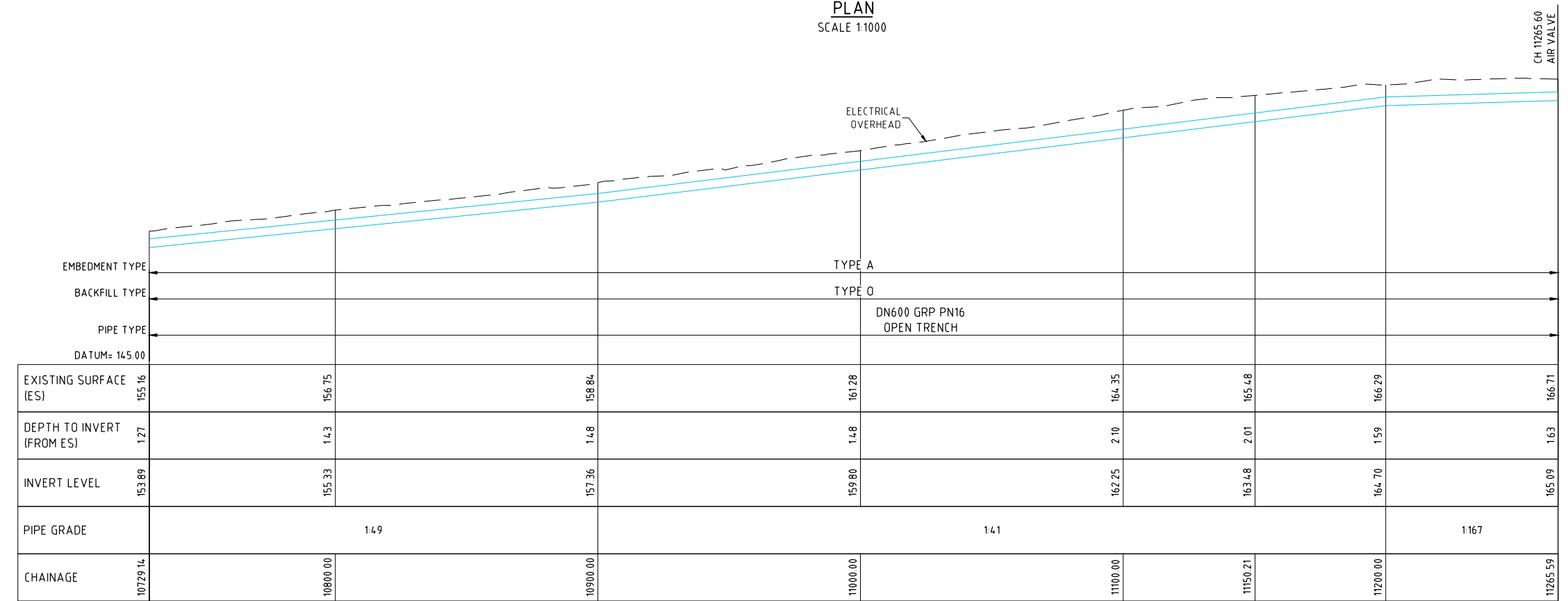
R0583 - MELTON TO BACCHUS MARSH
PLAN AND LONGITUDINAL SECTION
SHEET 22 OF 25

PLAN TYPE:	CIVIL
SCALE:	AS SHOWN
DRAWING NUMBER	
R0583-R-M2BM-0032	T0
NUMERAL	REV

- NOTES:**
- REFER TO DRAWING R0583-R-M2BM-0002 FOR DRAWING LIST AND LEGEND.
 - REFER TO DRAWING R0583-R-M2BM-0005 FOR GENERAL NOTES AND SCHEDULES.



PLAN
SCALE 1:1000



LONGITUDINAL SECTION
HORIZONTAL SCALE 1:1000
VERTICAL SCALE 1:500

SETOUT POINT (SP) COORDINATE SCHEDULE

ID	CHAINAGE	EASTING	NORTHING
SP4.2	11150.21	2774.1127	5819091.223
SP4.3	11265.59	277298.152	5819069.831



WARNING
BEWARE OF UNDERGROUND SERVICES. THE LOCATIONS OF UNDERGROUND SERVICES ARE APPROXIMATE ONLY AND THEIR EXACT POSITION SHOULD BE PROVEN ON SITE. NO GUARANTEE IS GIVEN THAT ALL EXISTING SERVICES ARE SHOWN

FOR TENDER
NOT FOR CONSTRUCTION



CAD FILE NAME: \\BECANET\PROJECTS\658458352\CAD\REF\A-658458352\CIVIL_3D - MAIN WORKS.DWG

DESIGNED	SH	DRAWN	SH
DESIGN CHECK	PA	DRAFT CHECK	AGS
APPROVED	DAP		

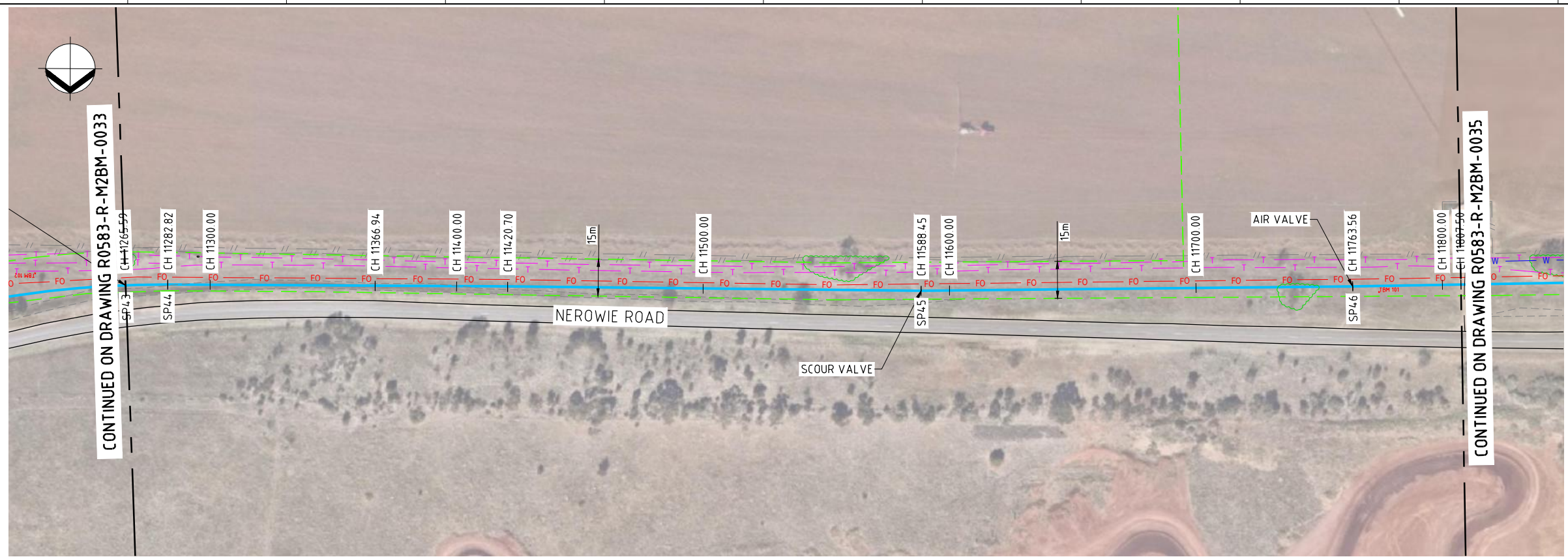
T0	ISSUED FOR TENDER	12.06.20	DAP	
REV	ZONE	DESCRIPTION	DATE	APP'D
1				



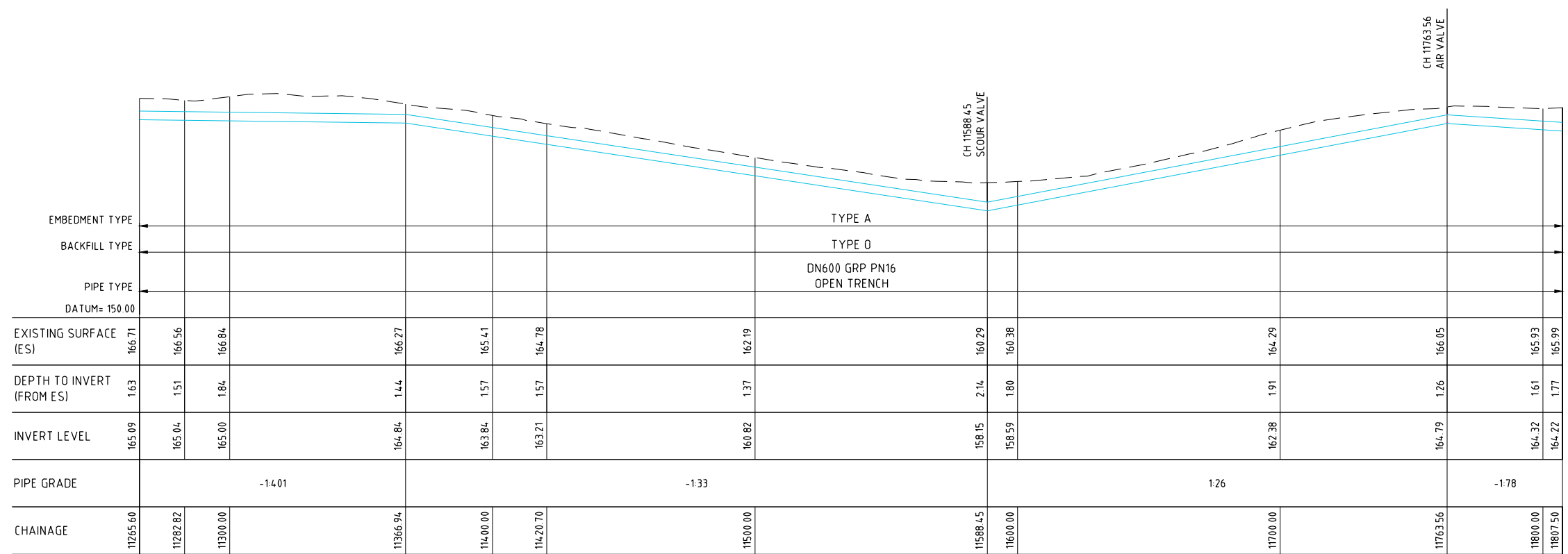
R0583 - MELTON TO BACCHUS MARSH
PLAN AND LONGITUDINAL SECTION
SHEET 23 OF 25

PLAN TYPE:	CIVIL
SCALE:	AS SHOWN
DRAWING NUMBER	
R0583-R-M2BM-0033	T0
NUMERAL	REV

- NOTES:**
- REFER TO DRAWING R0583-R-M2BM-0002 FOR DRAWING LIST AND LEGEND.
 - REFER TO DRAWING R0583-R-M2BM-0005 FOR GENERAL NOTES AND SCHEDULES.



PLAN
SCALE 1:1000



LONGITUDINAL SECTION
HORIZONTAL SCALE 1:1000
VERTICAL SCALE 1:500

SETOUT POINT (SP) COORDINATE SCHEDULE			
ID	CHAINAGE	EASTING	NORTHING
SP44	11282.82	277280.930	5819069.481
SP45	11588.45	276975.302	5819070.374
SP46	11763.56	276800.206	5819067.604



WARNING
BEWARE OF UNDERGROUND SERVICES. THE LOCATIONS OF UNDERGROUND SERVICES ARE APPROXIMATE ONLY AND THEIR EXACT POSITION SHOULD BE PROVEN ON SITE. NO GUARANTEE IS GIVEN THAT ALL EXISTING SERVICES ARE SHOWN

FOR TENDER
NOT FOR CONSTRUCTION



CAD FILE NAME: \\BECA\NET\PROJECTS\581458\581458\CAD\REF\A-6588352\CIVIL_3D - MAIN WORKS.DWG

REV	ZONE	DESCRIPTION	DATE	APP'D
T0		ISSUED FOR TENDER	12.06.20	DAP



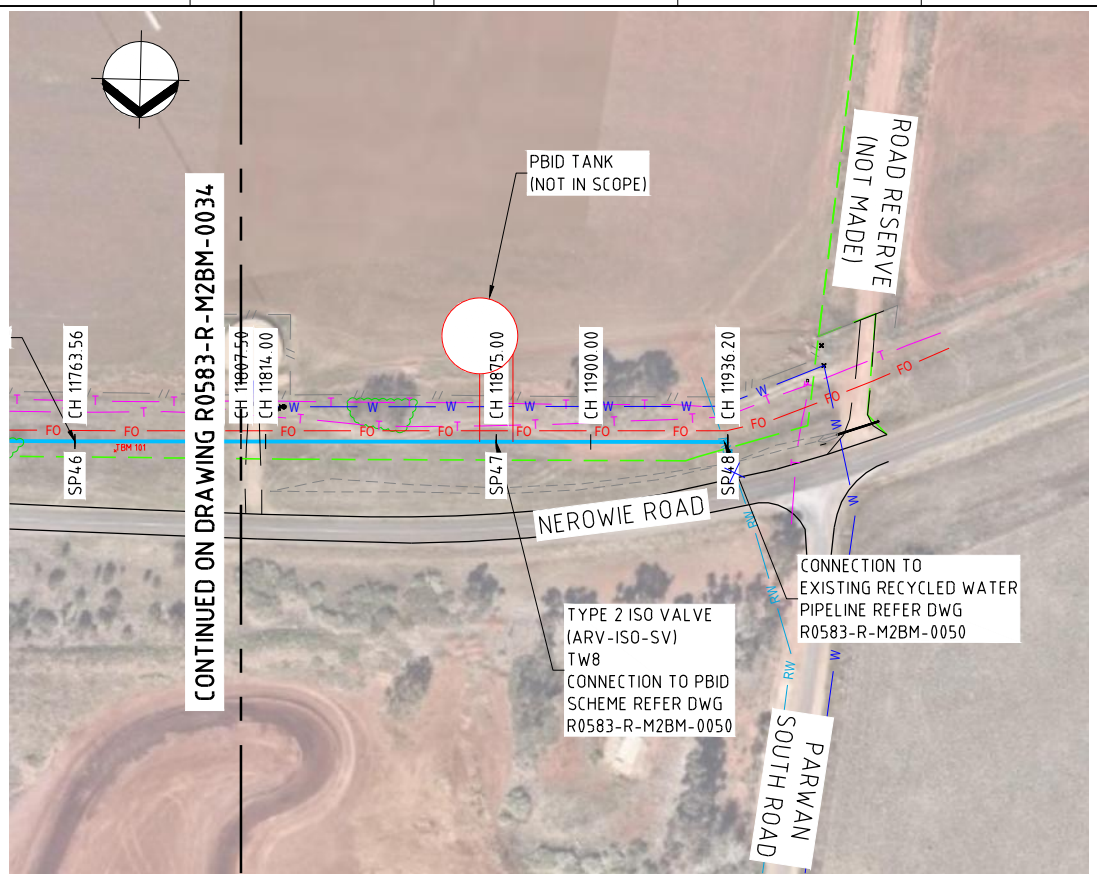
DESIGNED SH	DRAWN SH
DESIGN CHECK PA	DRAFT CHECK AGS
APPROVED DAP	



R0583 - MELTON TO BACCHUS MARSH
PLAN AND LONGITUDINAL SECTION
SHEET 24 OF 25

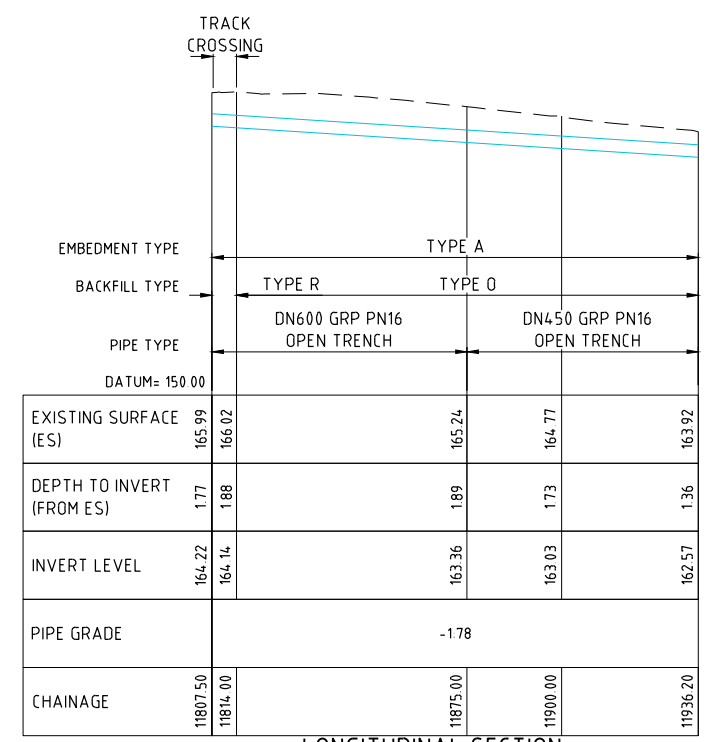
PLAN TYPE:	CIVIL
SCALE:	AS SHOWN
DRAWING NUMBER	
R0583-R-M2BM-0034	T0
NUMERAL	REV

- NOTES:**
- REFER TO DRAWING R0583-R-M2BM-0002 FOR DRAWING LIST AND LEGEND.
 - REFER TO DRAWING R0583-R-M2BM-0005 FOR GENERAL NOTES AND SCHEDULES.

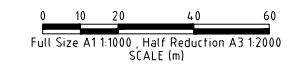
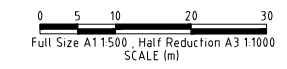


PLAN
SCALE 1:1000

SETOUT POINT (SP) COORDINATE SCHEDULE			
ID	CHAINAGE	EASTING	NORTHING
SP47	11875.00	276688.796	5819065.177
SP48	11936.20	276627.609	5819063.844



LONGITUDINAL SECTION
HORIZONTAL SCALE 1:1000
VERTICAL SCALE 1:500



WARNING
BEWARE OF UNDERGROUND SERVICES. THE LOCATIONS OF UNDERGROUND SERVICES ARE APPROXIMATE ONLY AND THEIR EXACT POSITION SHOULD BE PROVEN ON SITE. NO GUARANTEE IS GIVEN THAT ALL EXISTING SERVICES ARE SHOWN

FOR TENDER
NOT FOR CONSTRUCTION

CAD FILE NAME: P:\58\0583652\CAD\REF\X-6586352\CIVIL\3D - MAIN WORKS.DWG

DESIGNED	SH	DRAWN	SH
DESIGN CHECK	PA	DRAFT CHECK	AGS
APPROVED	DAP		

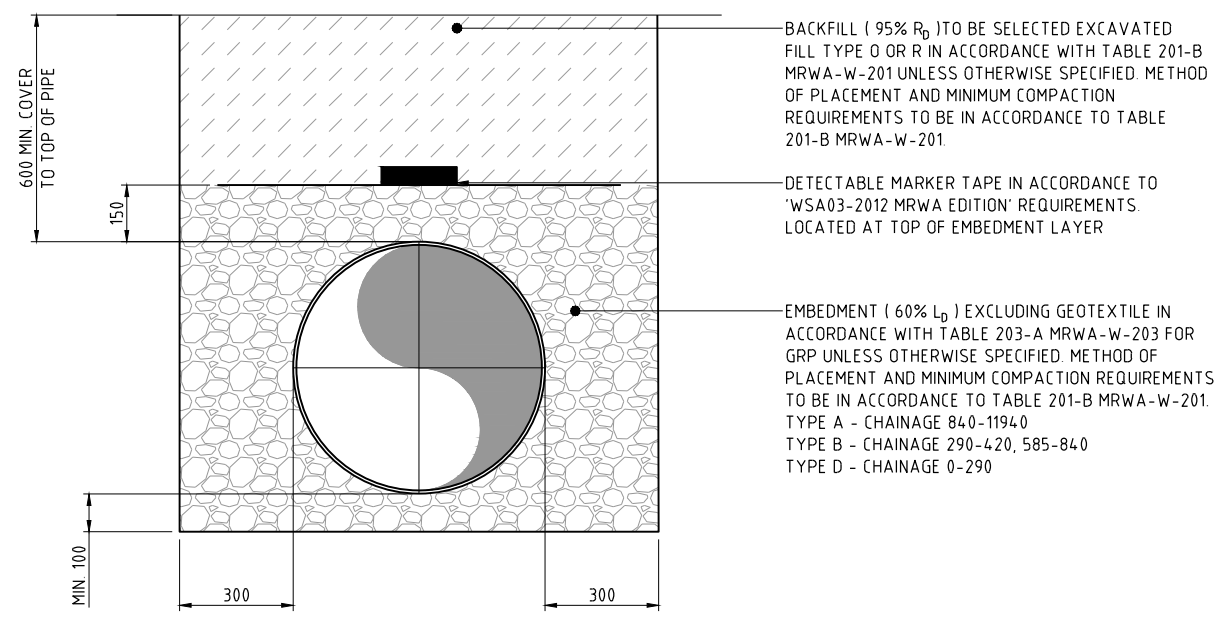
T0	ISSUED FOR TENDER	12.06.20	DAP	
REV	ZONE	DESCRIPTION	DATE	APP'D



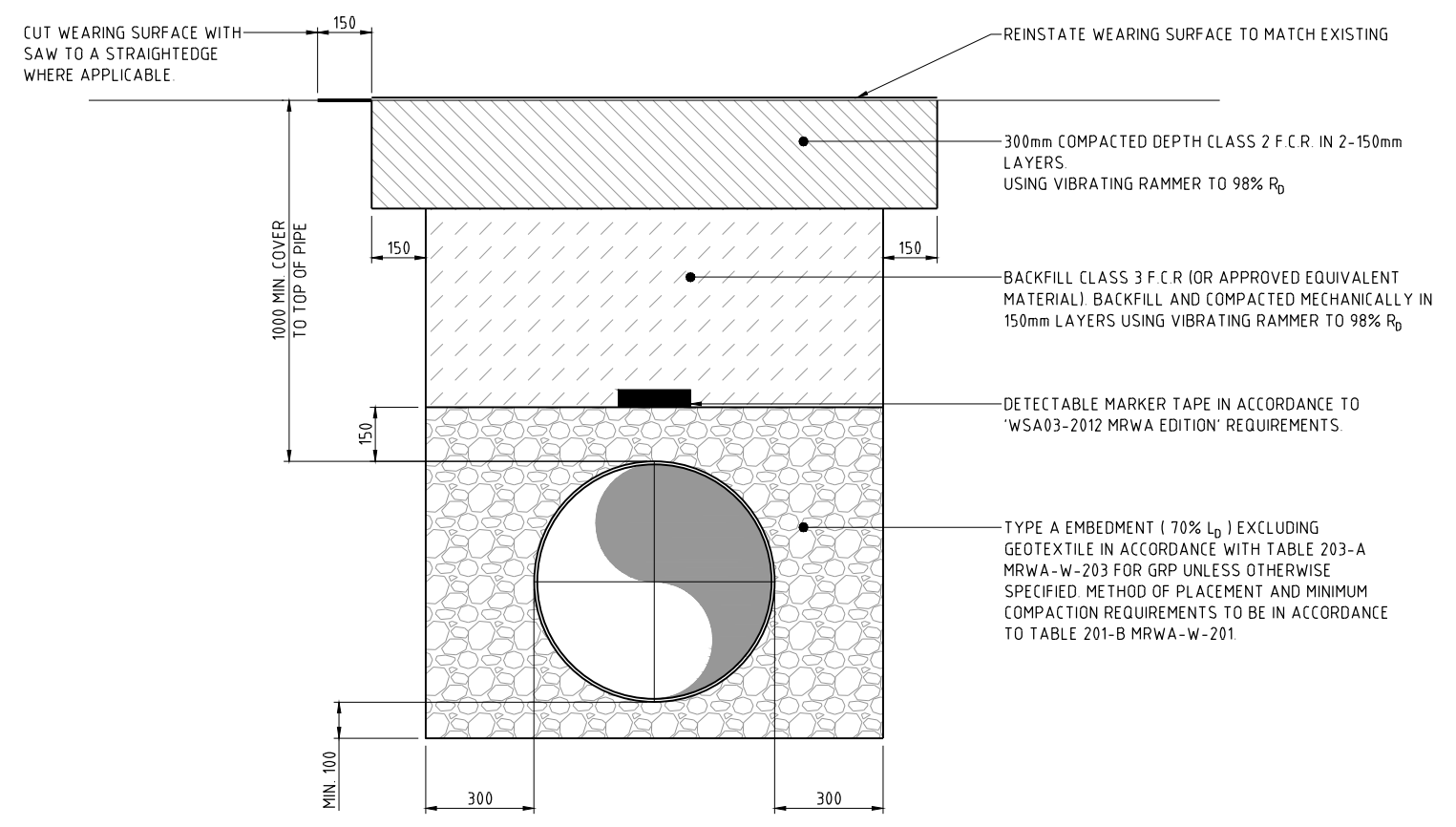
R0583 - MELTON TO BACCHUS MARSH
PLAN AND LONGITUDINAL SECTION
SHEET 25 OF 25

PLAN TYPE:	CIVIL
SCALE:	AS SHOWN
DRAWING NUMBER	
R0583-R-M2BM-0035	T0
NUMERAL	REV

- NOTES:**
- REFER TO DRAWING R0583-R-M2BM-0002 FOR DRAWING LIST AND LEGEND.
 - REFER TO DRAWING R0583-R-M2BM-0005 FOR GENERAL NOTES AND SCHEDULES.
 - FILLING OF EMBEDMENT ZONE FOR GRP TO BE BALANCED IN ACCORDANCE WITH PIPE MANUFACTURER RECOMMENDATIONS.



TYPICAL TRENCH DETAIL
SCALE: 1:10

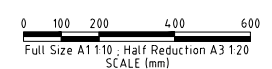


TYPICAL ROAD CROSSING TRENCH DETAIL
SCALE: 1:10



WARNING
BEWARE OF UNDERGROUND SERVICES. THE LOCATIONS OF UNDERGROUND SERVICES ARE APPROXIMATE ONLY AND THEIR EXACT POSITION SHOULD BE PROVEN ON SITE. NO GUARANTEE IS GIVEN THAT ALL EXISTING SERVICES ARE SHOWN.

FOR TENDER
NOT FOR CONSTRUCTION



CAD FILE NAME: P:\SRV\SRV58352\CAD\SRV583-R-M2BM-0040.DWG

DESIGNED	SH	DRAWN	SH	
DESIGN CHECK	PA	DRAFT CHECK	AGS	
APPROVED	DAP			
REV	ZONE	DESCRIPTION	DATE	APP'D
T0		ISSUED FOR TENDER	12.06.20	DAP



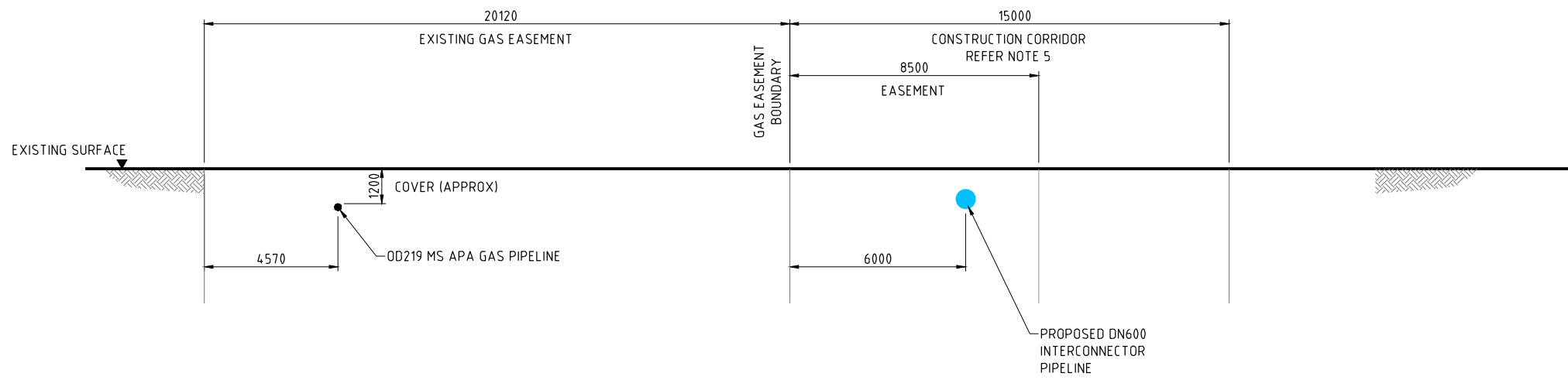
SR140 - MELTON TO BACCHUS MARSH
TRENCH DETAILS

PLAN TYPE:	CIVIL
SCALE:	1:10
DRAWING NUMBER	
R0583-R-M2BM-0040	T0
NUMERAL	REV

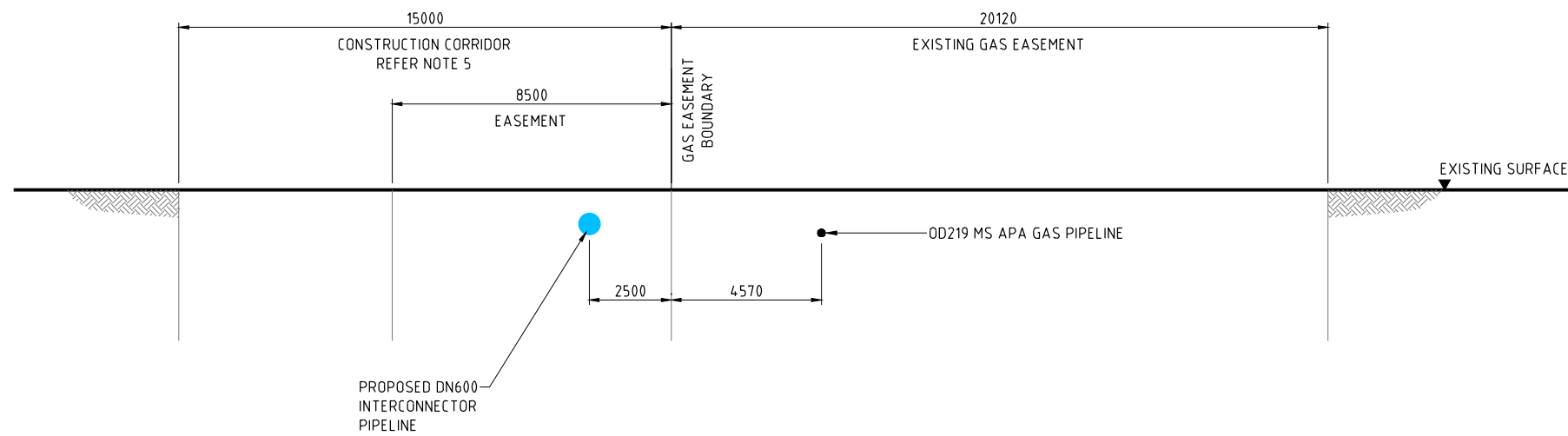
NOTES:

1. REFER TO DRAWING R0583-R-M2BM-0002 FOR DRAWING LIST AND LEGEND.
2. REFER TO DRAWING R0583-R-M2BM-0005 FOR GENERAL NOTES AND SCHEDULES.
3. REFER TO PLAN AND LONGITUDINAL SECTION DRAWINGS R0583-R-M2BM-0011 TO R0583-R-M2BM-0035 FOR CHAINAGE LOCATIONS.
4. GAS EASEMENT WIDTH AND PLACEMENT OF EXISTING GAS PIPELINE WITHIN EASEMENT SOURCED FROM APA AS-BUILT DRAWINGS FOR PROJECT '200 BROOKLYN-BALLAN TRANSMISSION PIPELINE.
5. CONSTRUCTION CORRIDOR TO BE 15m APART FROM BETWEEN THE CHAINAGES IN TABLE 1 WHERE IT MAY BE INCREASED TO 30m.
6. DISTANCES SHOWN ARE TO PIPE CENTRES.

FROM CHAINAGE	TO CHAINAGE
1165	1455
2255	2350
3360	3570
7285	7585
8165	8260
8885	8995
9074	9360



TYPICAL SECTION - PROPOSED EASEMENT WERRIBEE RIVER TO GAS CROSSING AT CH 732 (VIEWING WEST)
SCALE: 1:100



TYPICAL SECTION - PROPOSED EASEMENT FROM GAS CROSSING AT CH 761 TO NEROWIE ROAD (VIEWING WEST)
SCALE: 1:100



WARNING
BEWARE OF UNDERGROUND SERVICES. THE LOCATIONS OF UNDERGROUND SERVICES ARE APPROXIMATE ONLY AND THEIR EXACT POSITION SHOULD BE PROVEN ON SITE. NO GUARANTEE IS GIVEN THAT ALL EXISTING SERVICES ARE SHOWN.

FOR TENDER
NOT FOR CONSTRUCTION

0 1 2 4 6
Full Size A1 1:100 Half Reduction A3 1:200
SCALE (m)

CAD FILE NAME: P:\058\058352\CAD\0583-R-M2BM-0041.DWG

T0	ISSUED FOR TENDER	12.06.20	DAP
REV	ZONE	DESCRIPTION	DATE APP'D
	1		
	2		
	3		



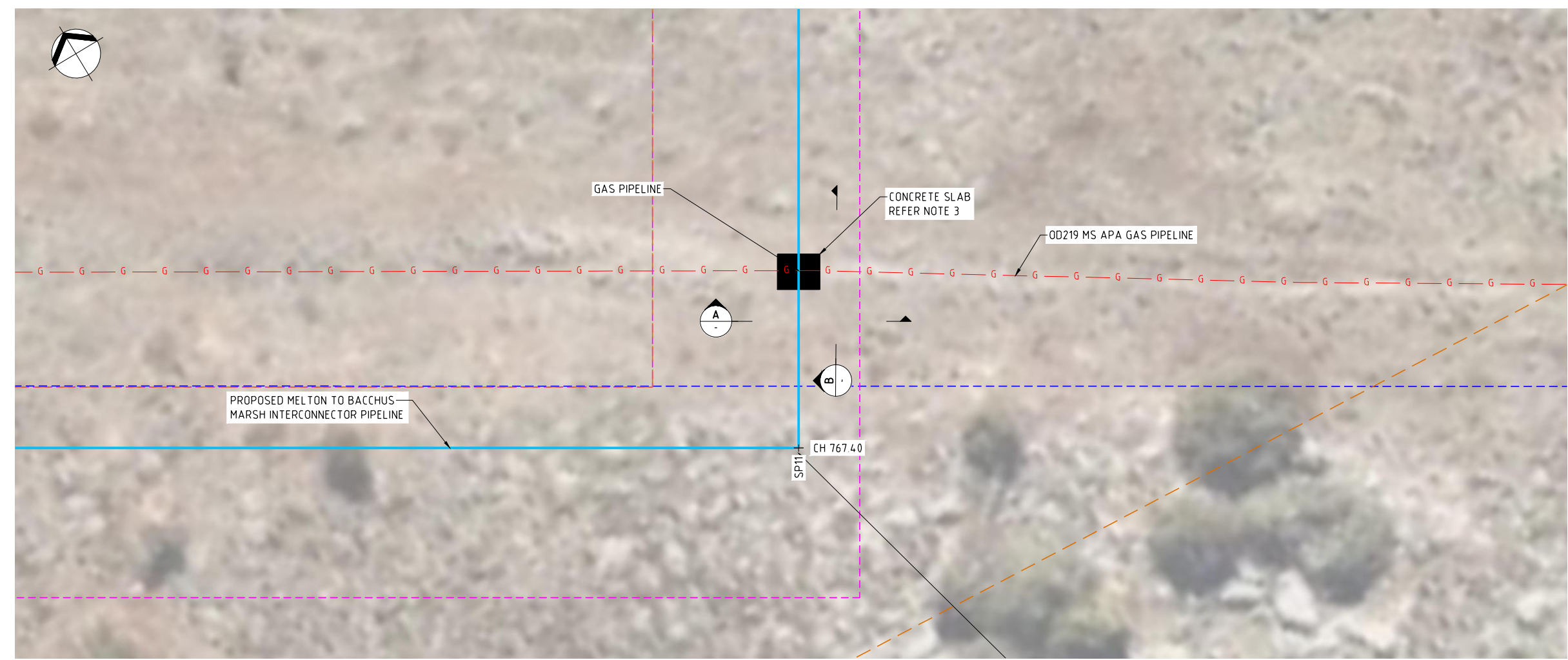
DESIGNED SH	DRAWN SH
DESIGN CHECK PA	DRAFT CHECK AGS
APPROVED DAP	



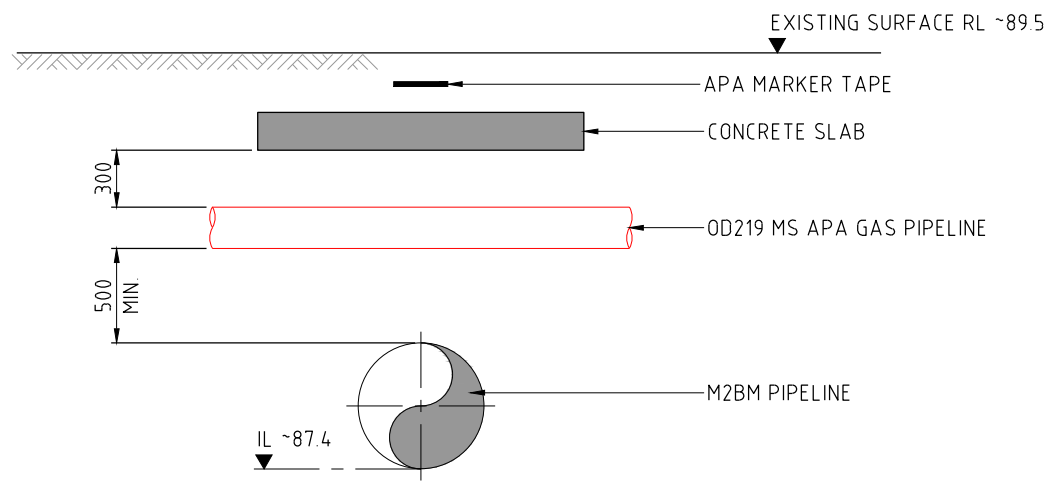
SR140 - MELTON TO BACCHUS MARSH
TYPICAL SECTIONS

PLAN TYPE:	CIVIL
SCALE:	1:100
DRAWING NUMBER	
R0583-R-M2BM-0041	T0
NUMERAL	REV

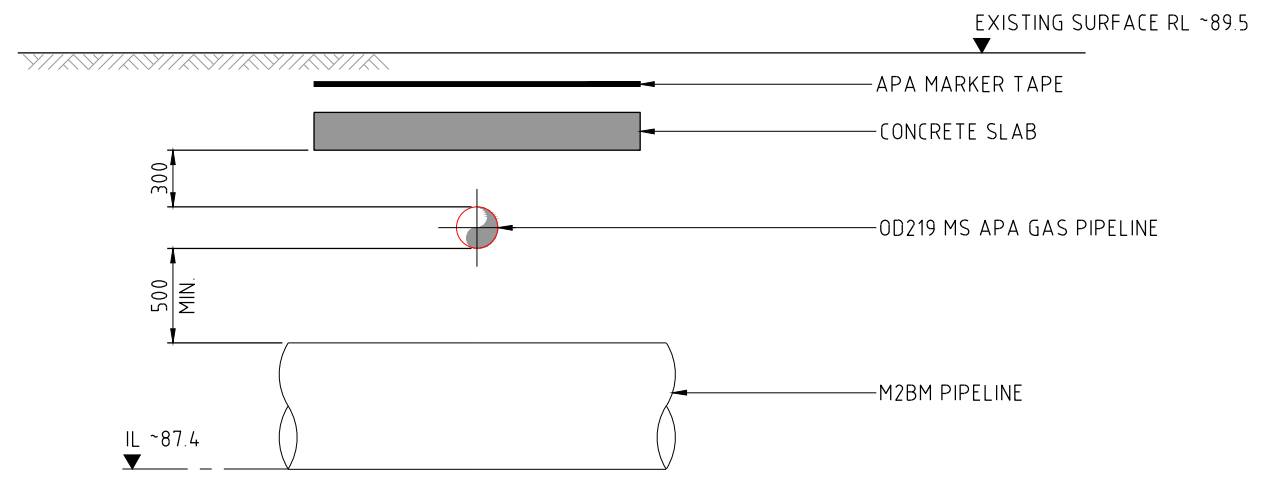
- NOTES:**
- REFER TO DRAWING R0583-R-M2BM-0002 FOR DRAWING LIST AND LEGEND.
 - REFER TO DRAWING R0583-R-M2BM-0005 FOR GENERAL NOTES AND SCHEDULES.
 - REFER TO APA DRAWING 530-DWG-L-1001 FOR GAS CROSSING REQUIREMENTS.



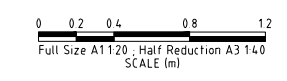
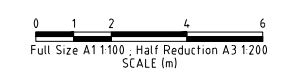
PLAN
SCALE: 1:100



A SECTION
SCALE: 1:20



B SECTION
SCALE: 1:20



WARNING
BEWARE OF UNDERGROUND SERVICES. THE LOCATIONS OF UNDERGROUND SERVICES ARE APPROXIMATE ONLY AND THEIR EXACT POSITION SHOULD BE PROVEN ON SITE. NO GUARANTEE IS GIVEN THAT ALL EXISTING SERVICES ARE SHOWN

FOR TENDER
NOT FOR CONSTRUCTION

CAD FILE NAME: \\Beca\NET\PROJECTS\584583652\CAD\R0583-R-M2BM-0042.DWG

DESIGNED	SH	DRAWN	SH
DESIGN CHECK	PA	DRAFT CHECK	AGS
APPROVED	DAP		
T0	ISSUED FOR TENDER	12.06.20	DAP
REV	ZONE	DESCRIPTION	DATE
	1		



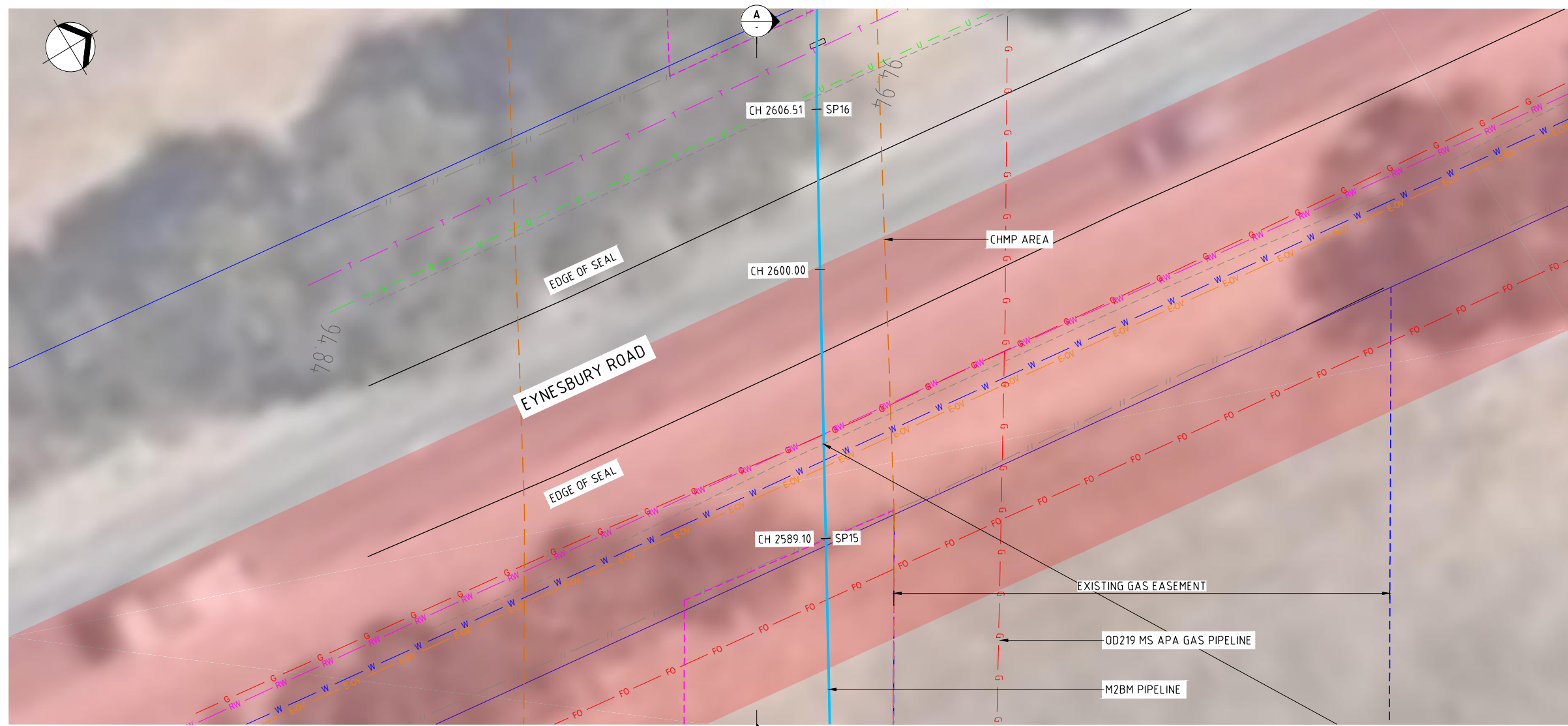
DESIGNED	SH	DRAWN	SH
DESIGN CHECK	PA	DRAFT CHECK	AGS
APPROVED	DAP		



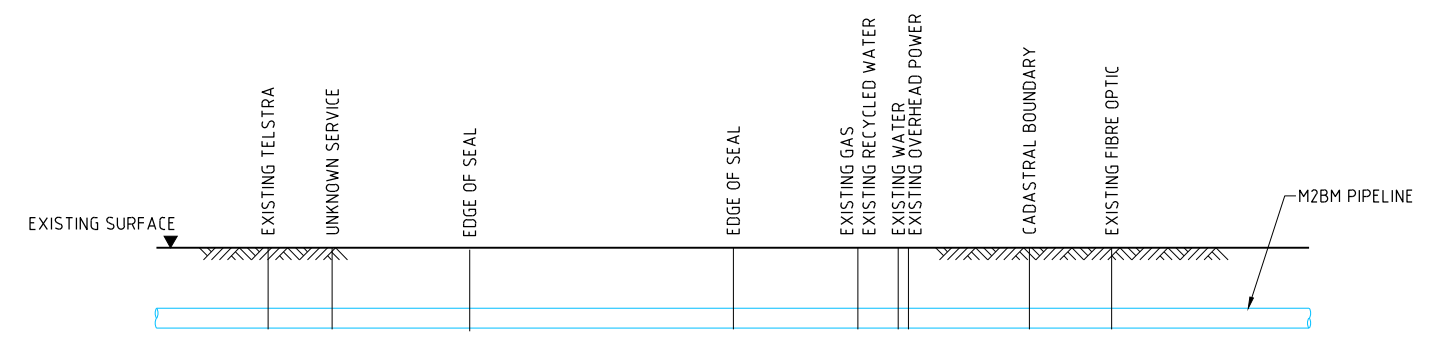
**SR140 - MELTON TO BACCHUS MARSH
GAS PIPELINE CROSSING DETAILS**

PLAN TYPE:	CIVIL
SCALE:	AS SHOWN
DRAWING NUMBER	
R0583-R-M2BM-0042	T0
NUMERAL	REV

- NOTES:**
- REFER TO DRAWING R0583-R-M2BM-0002 FOR DRAWING LIST AND LEGEND.
 - REFER TO DRAWING R0583-R-M2BM-0005 FOR GENERAL NOTES AND SCHEDULES.
 - CONSTRUCTION CORRIDOR IN ROAD DEPENDENT ON TRAFFIC MANAGEMENT PLAN AND APPROVALS.



PLAN
SCALE: 1:100



A SECTION
SCALE: 1:100



WARNING
BEWARE OF UNDERGROUND SERVICES. THE LOCATIONS OF UNDERGROUND SERVICES ARE APPROXIMATE ONLY AND THEIR EXACT POSITION SHOULD BE PROVEN ON SITE. NO GUARANTEE IS GIVEN THAT ALL EXISTING SERVICES ARE SHOWN

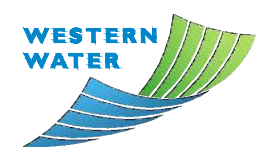
FOR TENDER
NOT FOR CONSTRUCTION

CAD FILE NAME: P:\58\0583652\CAD\R0583-R-M2BM-0043.DWG

T0	ISSUED FOR TENDER	12.06.20	DAP
REV	ZONE	DESCRIPTION	DATE



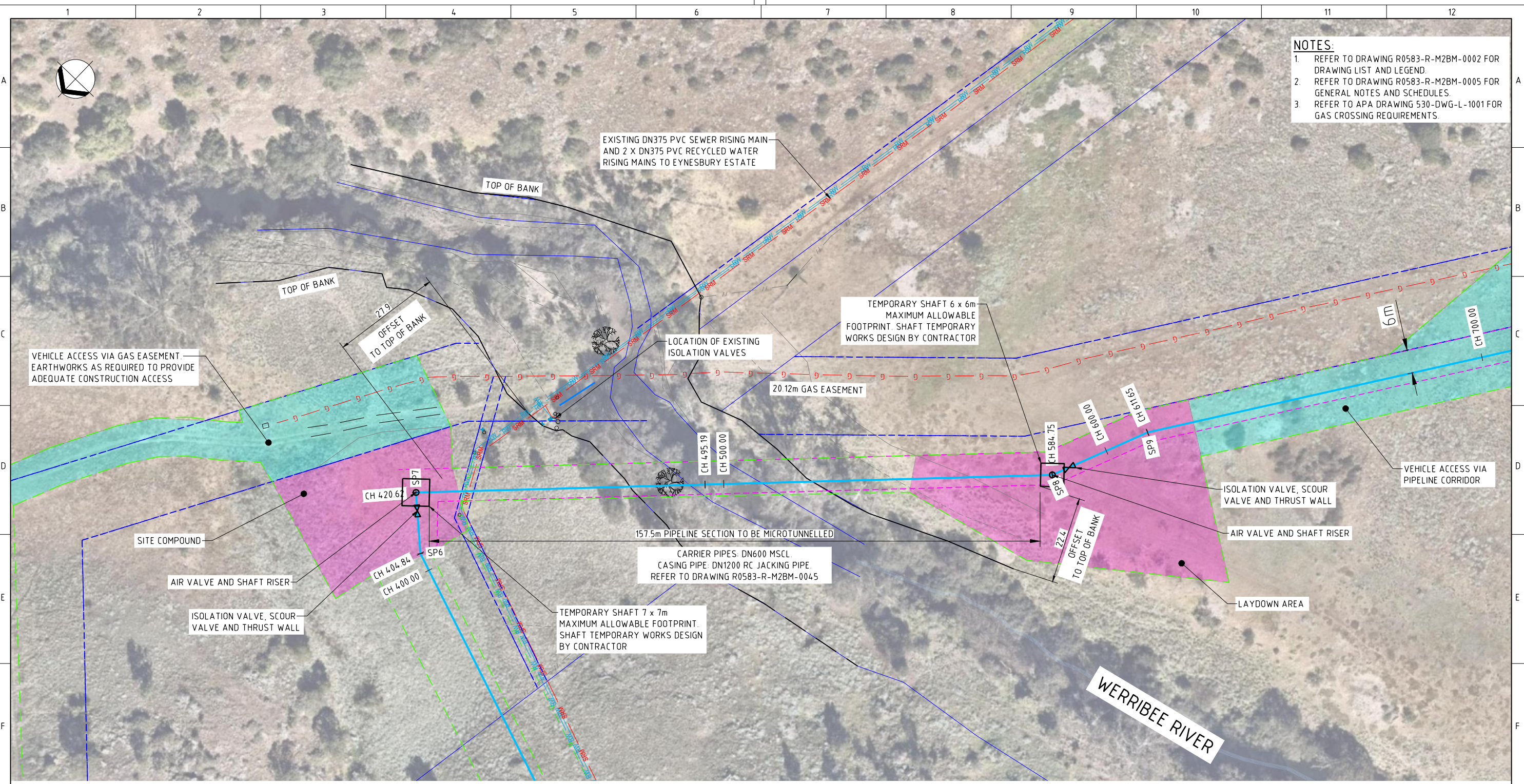
DESIGNED SH	DRAWN SH
DESIGN CHECK PA	DRAFT CHECK AGS
APPROVED DAP	



SR140 - MELTON TO BACCHUS MARSH
CROSSING DETAILS
EYNESBURY ROAD

PLAN TYPE:	CIVIL
SCALE:	1:100
DRAWING NUMBER	
R0583-R-M2BM-0043	T0
NUMERAL	REV

- NOTES:**
1. REFER TO DRAWING R0583-R-M2BM-0002 FOR DRAWING LIST AND LEGEND
 2. REFER TO DRAWING R0583-R-M2BM-0005 FOR GENERAL NOTES AND SCHEDULES
 3. REFER TO APA DRAWING 530-DWG-L-1001 FOR GAS CROSSING REQUIREMENTS

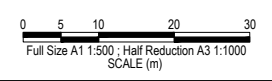


PLAN
SCALE: 1:500



WARNING
BEWARE OF UNDERGROUND SERVICES. THE LOCATIONS OF UNDERGROUND SERVICES ARE APPROXIMATE ONLY AND THEIR EXACT POSITION SHOULD BE PROVEN ON SITE. NO GUARANTEE IS GIVEN THAT ALL EXISTING SERVICES ARE SHOWN.

FOR TENDER
NOT FOR CONSTRUCTION

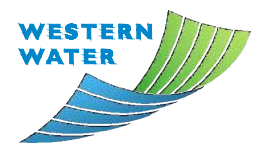


CAD FILE NAME: \\BECA.NET\PROJECTS\0583\0583\2\CAD\DWG\R0583-R-M2BM-0044.DWG

TO	ISSUED FOR TENDER	12.06.20	DAP
REV	ZONE	DESCRIPTION	DATE

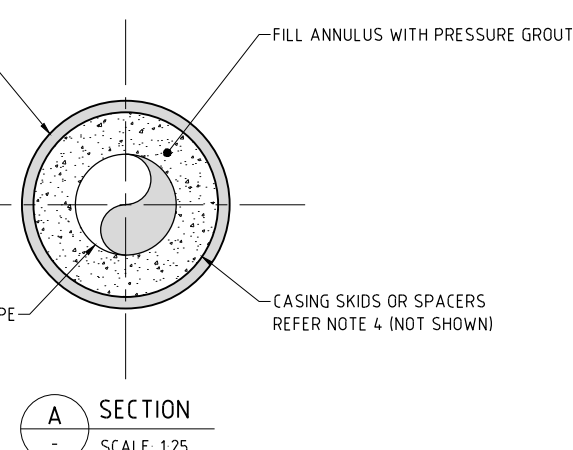
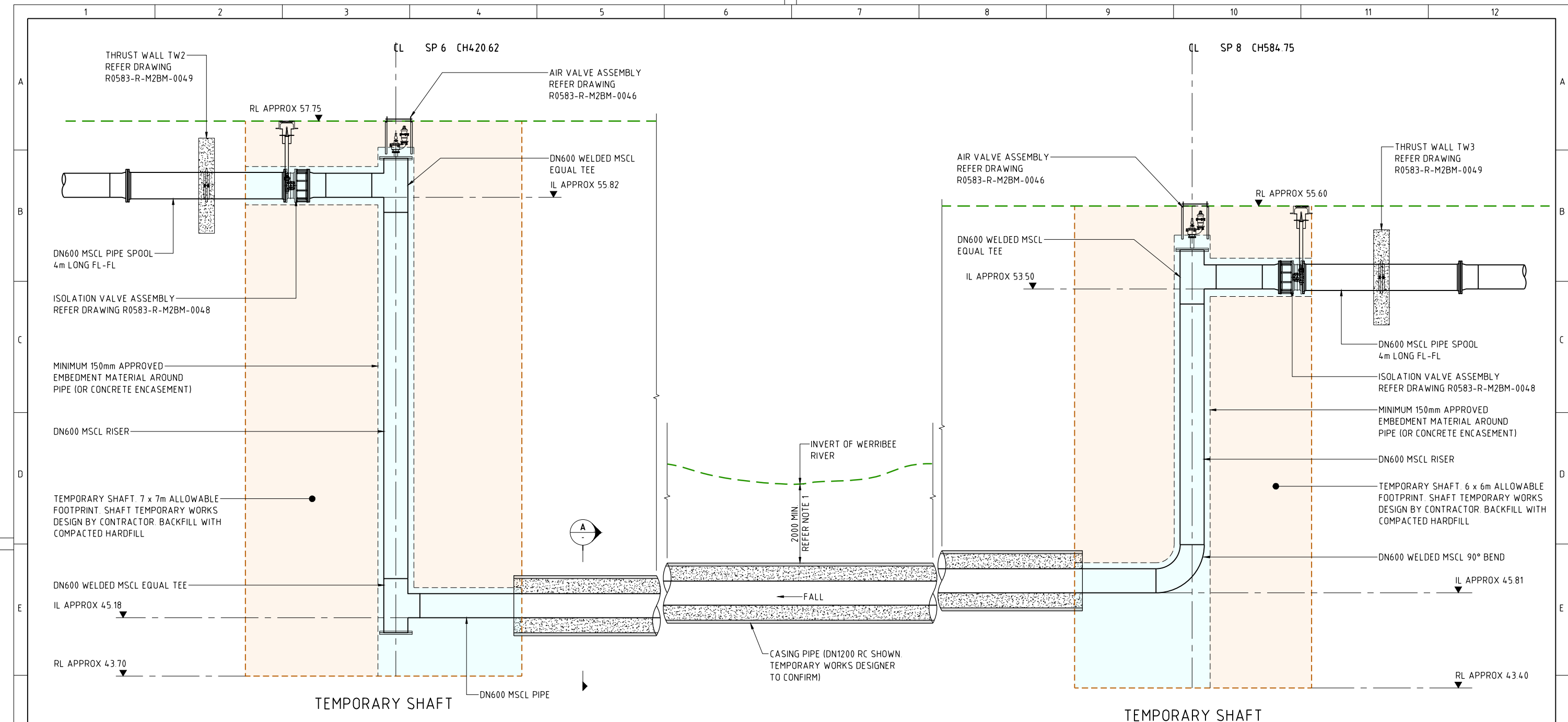


DESIGNED	SH	DRAWN	SH
DESIGN CHECK	PA	DRAFT CHECK	AGS
APPROVED	DAP		



SR140 - MELTON TO BACCHUS MARSH
WERRIBEE RIVER CROSSING
PLAN

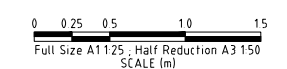
PLAN TYPE:	CIVIL
SCALE:	1500
DRAWING NUMBER	
R0583-R-M2BM-0044	T0
NUMERAL	REV



TRENCHLESS SLEEVE BORE CROSS-SECTION
SCALE: 1:50

- LEGEND:**
- EXISTING SURFACE
 - COMPACTED ORDINARY FILL
 - EMBEDMENT MATERIAL

- NOTE:**
1. FINAL SHAFT DIMENSIONS, PIPE DEPTHS AND MICROTUNNELING DETAILS TO BE CONFIRMED PENDING GEOTECHNICAL SITE INVESTIGATIONS.
 2. THE INSTALLATION OF ENCASING, CARRIER PIPE AND PRESSURE GROUTING SHALL BE PERFORMED BY SPECIALIST PERSONNEL.
 3. LAUNCHING AND RECEIVING PITS SHALL BE BACKFILLED AND REINSTATED TO MATCH EXISTING CONDITIONS.
 4. CASING SKIDS OR SPACERS SHALL BE USED TO KEEP THE CARRIER PIPE IN CENTRAL POSITION INSIDE THE ENCASMENT PIPE.
 5. CONTRACTOR TO SUBMIT DETAILED METHOD STATEMENT AND TEMPORARY WORKS DESIGN.
 6. MSCL PIPE TO HAVE HDPE EXTERNAL COATING. COATING TO BE IN ACCORDANCE WITH MRWA-W-400 (COATING TYPE A OR B)



FOR TENDER
NOT FOR CONSTRUCTION

T0	ISSUED FOR TENDER	12.06.20	DAP	
REV	ZONE	DESCRIPTION	DATE	APP'D



DESIGNED SH	DRAWN SH
DESIGN CHECK PA	DRAFT CHECK AGS
APPROVED DAP	

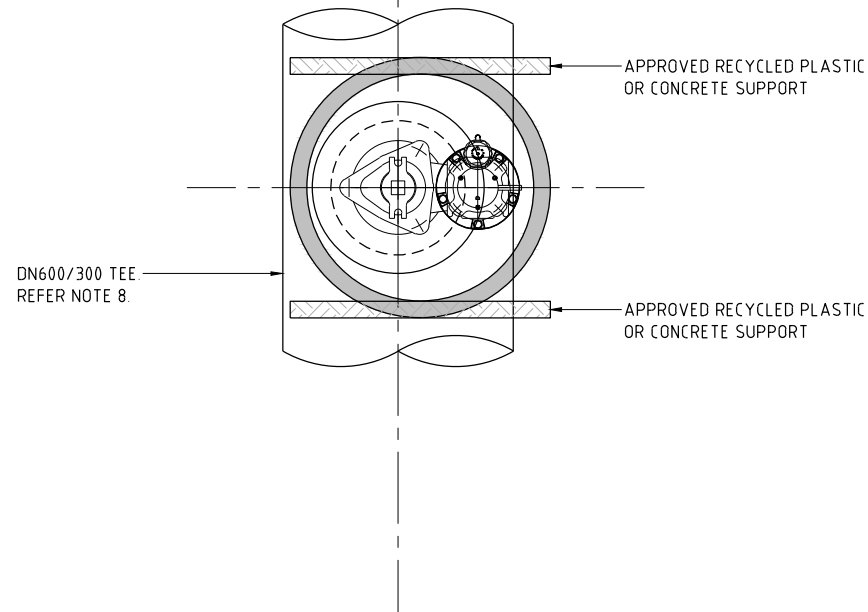


**SR140 - MELTON TO BACCHUS MARSH
WERRIBEE RIVER CROSSING
MICROTUNNEL DETAILS**

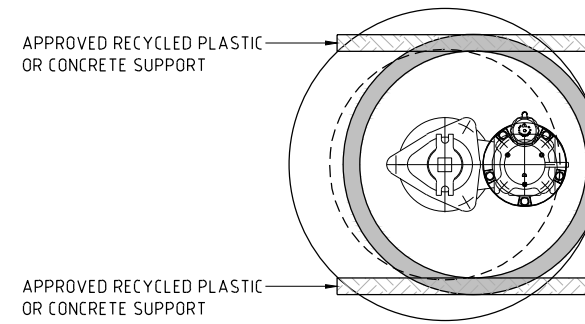
PLAN TYPE: CIVIL	
SCALE: AS SHOWN	
DRAWING NUMBER	
R0583-R-M2BM-0045	T0
NUMERAL	REV

NOTES:

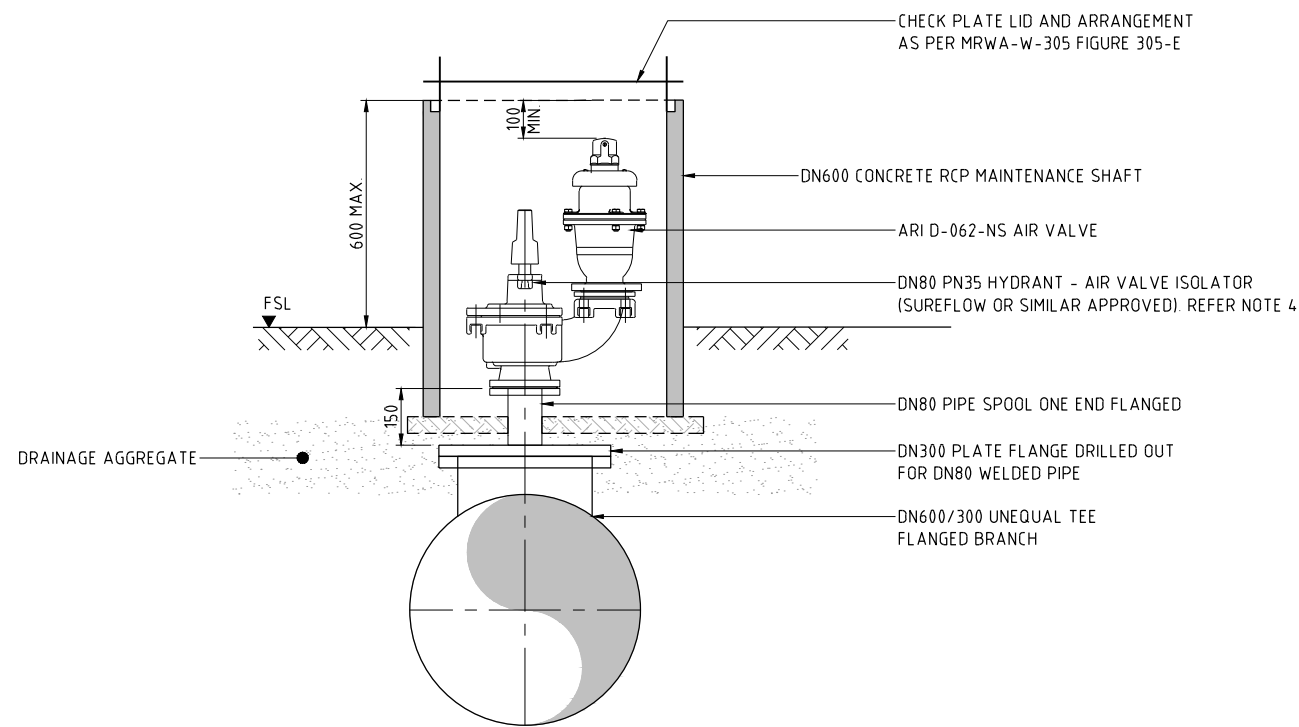
1. REFER TO DRAWING R0583-R-M2BM-0002 FOR DRAWING LIST AND LEGEND.
2. LOCATION OF AIR VALVES TO BE AS SHOWN ON PLAN AND LONGITUDINAL SECTION DRAWINGS.
3. ORIENTATION OF AIR VALVES TO BE VERTICALLY OPERATED FROM SURFACE.
4. REFER TO DRAWING R0583-R-M2BM-0005 GENERAL NOTES FOR VALVE CLOSING DIRECTION.
5. TEE TO BE SO-SO-FL WHEN STANDALONE VALVE. REFER DRAWING R0583-R-M2BM-0048 WHEN ISOLATION VALVE IS PRESENT.



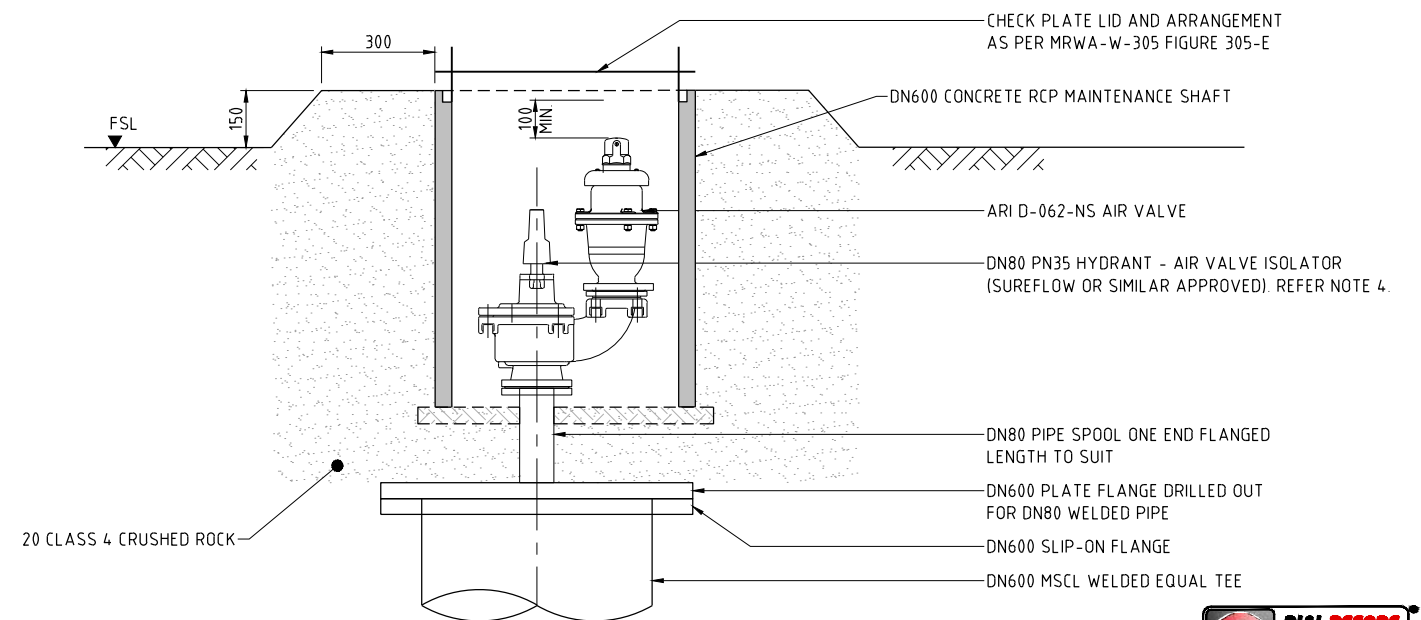
IN-LINE AIR VALVE ASSEMBLY - PLAN
WATER TYPE WITH HYDRANT ISOLATOR
 SCALE: 1:10



AIR VALVE ASSEMBLY - PLAN
WATER TYPE WITH HYDRANT ISOLATOR
AT TEMPORARY SHAFT CH420.62 AND CH584.75
 SCALE: 1:10



IN-LINE AIR VALVE ASSEMBLY - SECTION
WATER TYPE WITH HYDRANT ISOLATOR
 SCALE: 1:10



AIR VALVE ASSEMBLY - SECTION
WATER TYPE WITH HYDRANT ISOLATOR
AT TEMPORARY SHAFT CH420.62 AND CH584.75
 SCALE: 1:10

0 0.1 0.2 0.4 0.6
 Full Size A1 1:10 Half Reduction A3 1:20
 SCALE (m)



The Essential First Step.

WARNING
 BEWARE OF UNDERGROUND SERVICES. THE LOCATIONS OF UNDERGROUND SERVICES ARE APPROXIMATE ONLY AND THEIR EXACT POSITION SHOULD BE PROVEN ON SITE. NO GUARANTEE IS GIVEN THAT ALL EXISTING SERVICES ARE SHOWN.

FOR TENDER
NOT FOR CONSTRUCTION

CAD FILE NAME: P:\SRV\SRV\SRV\CAD\SRV\SRV-R-M2BM-0046.DWG

Plotted 06/12/2020 2:09 PM by SH2

DESIGNED SH	DRAWN SH
DESIGN CHECK PA	DRAFT CHECK AGS
APPROVED DAP	



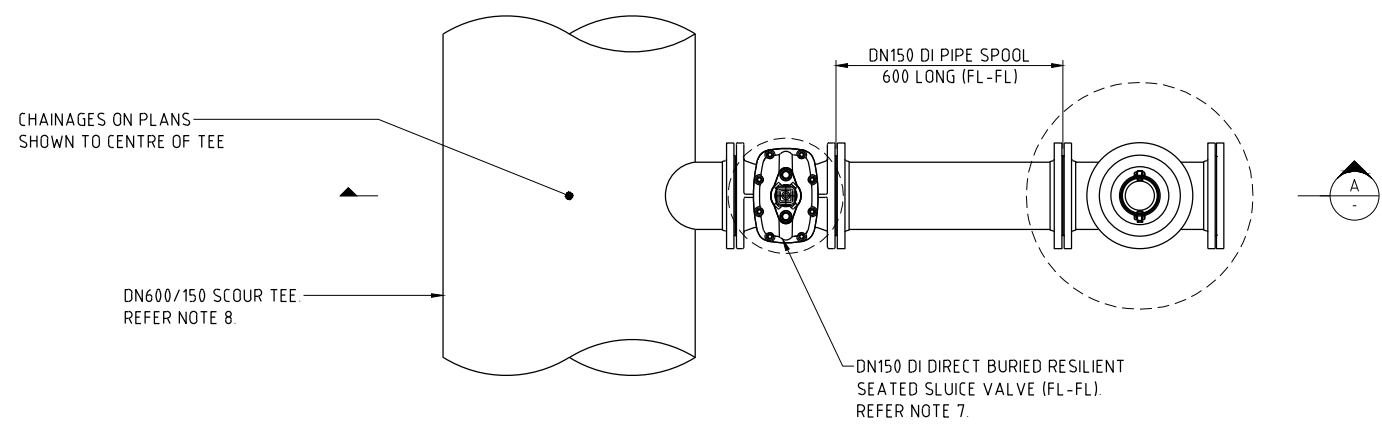
SR140 - MELTON TO BACCHUS MARSH
 INLINE AIR VALVE DETAILS

PLAN TYPE:	CIVIL
SCALE:	1:10
DRAWING NUMBER	
R0583-R-M2BM-0046	T0
NUMERAL	REV

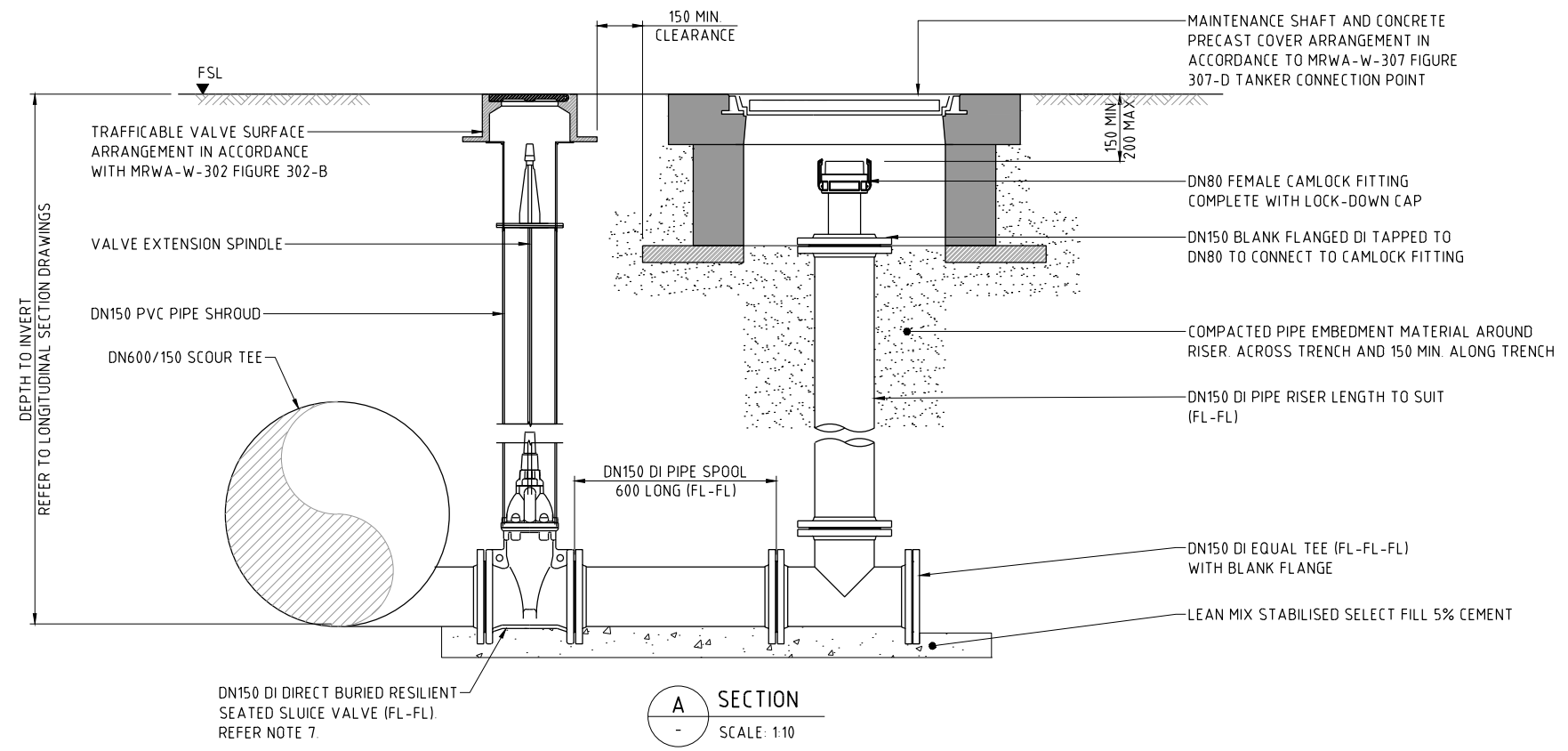
T0	ISSUED FOR TENDER	12.06.20	DAP
REV	ZONE	DESCRIPTION	DATE

NOTES:

1. REFER TO DRAWING R0583-R-M2BM-0002 FOR DRAWING LIST AND LEGEND.
2. LOCATIONS OF SCOUR INSTALLATION TO BE AS SHOWN ON PLAN AND LONGITUDINAL SECTION DRAWINGS
3. SCOUR VALVE ACCESS COVER TO BE TRAFFICABLE AND IN ACCORDANCE TO MRWA-W-302 FIGURE 302-B VALVE SURFACE ARRANGEMENT
4. RESILIENT SEATED GATE VALVES WITH IN-BUILT DN100 BYPASS CAN ALSO BE USED
5. ORIENTATION OF SCOUR AND VALVES TO BE VERTICALLY OPERATED FROM SURFACE .
6. VALVE COVERS TO BE LOCKABLE.
7. REFER TO DRAWING R0583-R-M2BM-0005 GENERAL NOTES FOR VALVE CLOSING DIRECTION.
8. TEE TO BE SO-SO-FL WHEN STANDALONE VALVE REFER DRAWING R0583-R-M2BM-0048 WHEN ISOLATION VALVE IS PRESENT.



SCOUR VALVE ASSEMBLY - PLAN
SCALE: 1:10

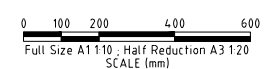


SECTION A
SCALE: 1:10



WARNING
BEWARE OF UNDERGROUND SERVICES. THE LOCATIONS OF UNDERGROUND SERVICES ARE APPROXIMATE ONLY AND THEIR EXACT POSITION SHOULD BE PROVEN ON SITE. NO GUARANTEE IS GIVEN THAT ALL EXISTING SERVICES ARE SHOWN.

FOR TENDER
NOT FOR CONSTRUCTION



CAD FILE NAME: P:\SRV\SRV58355\CA\SRV583-R-M2BM-0047.DWG

DESIGNED	SH	DRAWN	SH	
DESIGN CHECK	PA	DRAFT CHECK	AGS	
APPROVED	DAP			
REV	ZONE	DESCRIPTION	DATE	APP'D
T0		ISSUED FOR TENDER	12.06.20	DAP

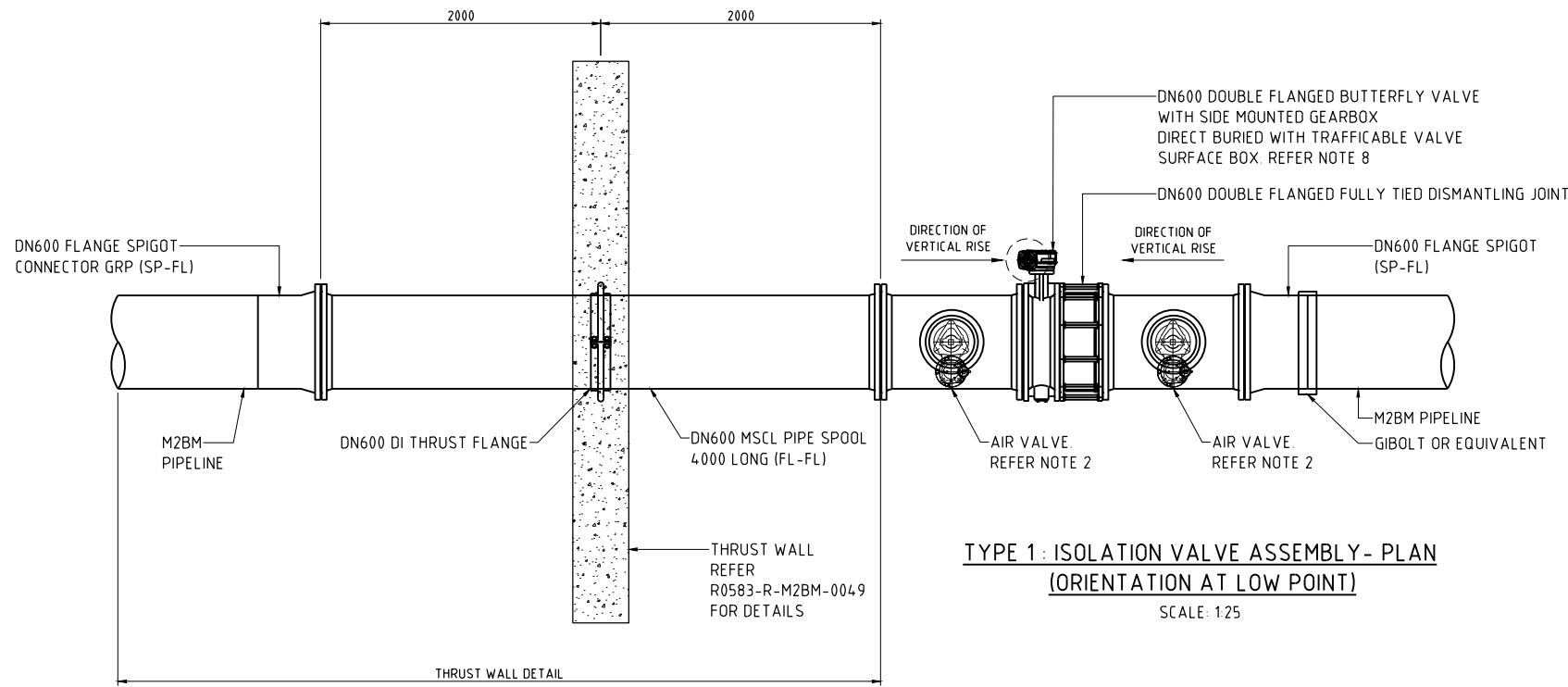


SR140 - MELTON TO BACCHUS MARSH
SCOUR VALVE DETAILS

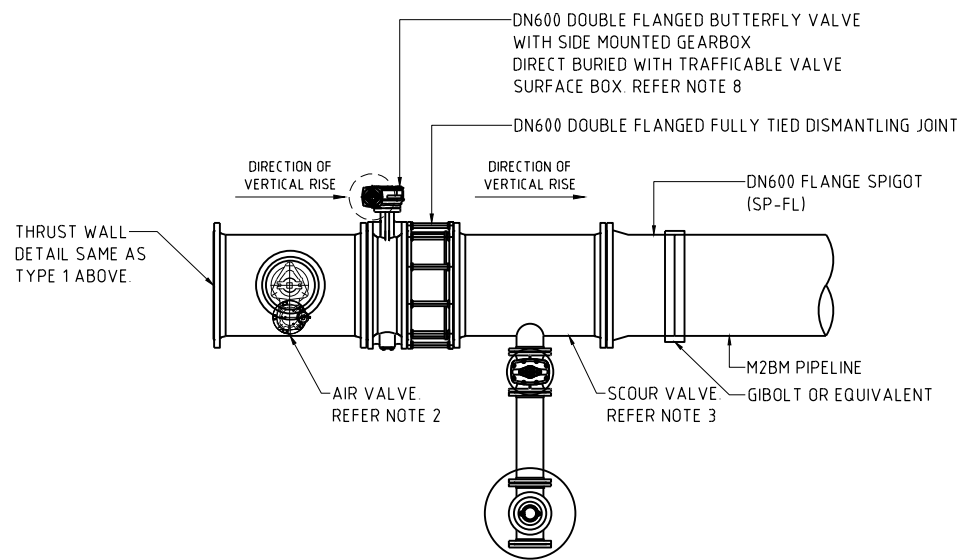
PLAN TYPE:	CIVIL
SCALE:	1:10
DRAWING NUMBER	
R0583-R-M2BM-0047	T0
NUMERAL	REV

NOTES:

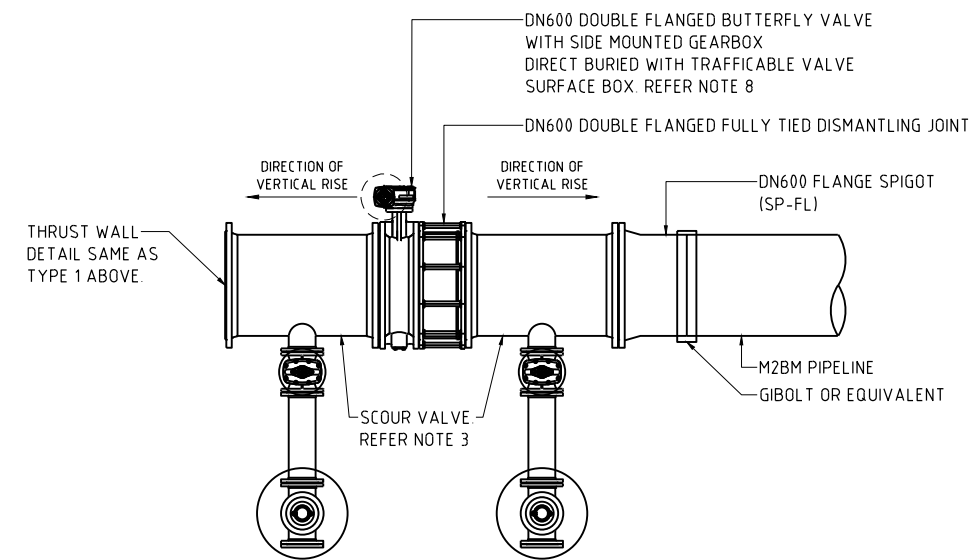
1. REFER TO DRAWING R0583-R-M2BM-0002 FOR DRAWING LIST AND LEGEND
2. REFER TO DRAWING R0583-R-M2BM-0046 FOR AIR VALVE DETAIL
3. REFER TO DRAWING R0583-R-M2BM-0047 FOR SCOUR VALVE DETAIL
4. LOCATIONS OF VALVE INSTALLATION TO BE AS SHOWN ON PLAN AND LONGITUDINAL SECTION DRAWINGS
5. SCOUR VALVE ACCESS COVER TO BE TRAFFICABLE AND IN ACCORDANCE TO MRWA-W-302 FIGURE 302-B VALVE SURFACE ARRANGEMENT
6. ORIENTATION OF VALVES TO BE VERTICALLY OPERATED FROM SURFACE
7. VALVE COVERS TO BE LOCKABLE
8. REFER TO DRAWING R0583-R-M2BM-0005 GENERAL NOTES FOR VALVE CLOSING DIRECTION.



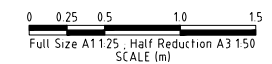
TYPE 1: ISOLATION VALVE ASSEMBLY- PLAN
(ORIENTATION AT LOW POINT)
 SCALE: 1:25



TYPE 3: ISOLATION VALVE ASSEMBLY- PLAN
(ORIENTATION AT HIGH POINT)
 SCALE: 1:25



TYPE 2: ISOLATION VALVE ASSEMBLY- PLAN
(ORIENTATION AT CONTINUAL RISE)
 SCALE: 1:25



WARNING
 BEWARE OF UNDERGROUND SERVICES. THE LOCATIONS OF UNDERGROUND SERVICES ARE APPROXIMATE ONLY AND THEIR EXACT POSITION SHOULD BE PROVEN ON SITE. NO GUARANTEE IS GIVEN THAT ALL EXISTING SERVICES ARE SHOWN.

FOR TENDER
NOT FOR CONSTRUCTION

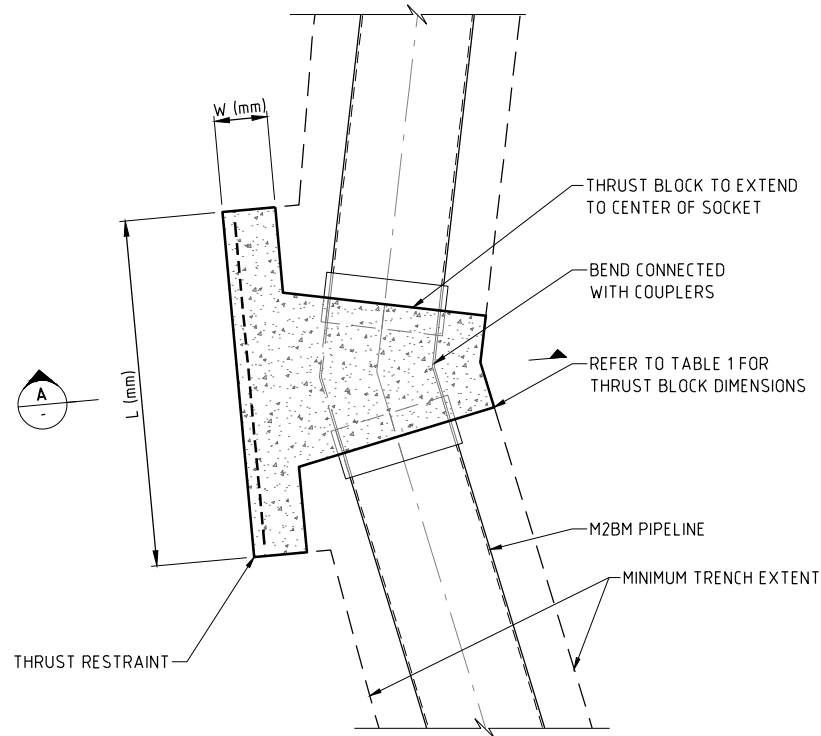
CAD FILE NAME: P:\0583\058352\CAD\0583-R-M2BM-0048.DWG

DESIGNED	SH	DRAWN	SH	
DESIGN CHECK	PA	DRAFT CHECK	AGS	
APPROVED	DAP			
REV	ZONE	DESCRIPTION	DATE	APP'D
T0		ISSUED FOR TENDER	12.06.20	DAP

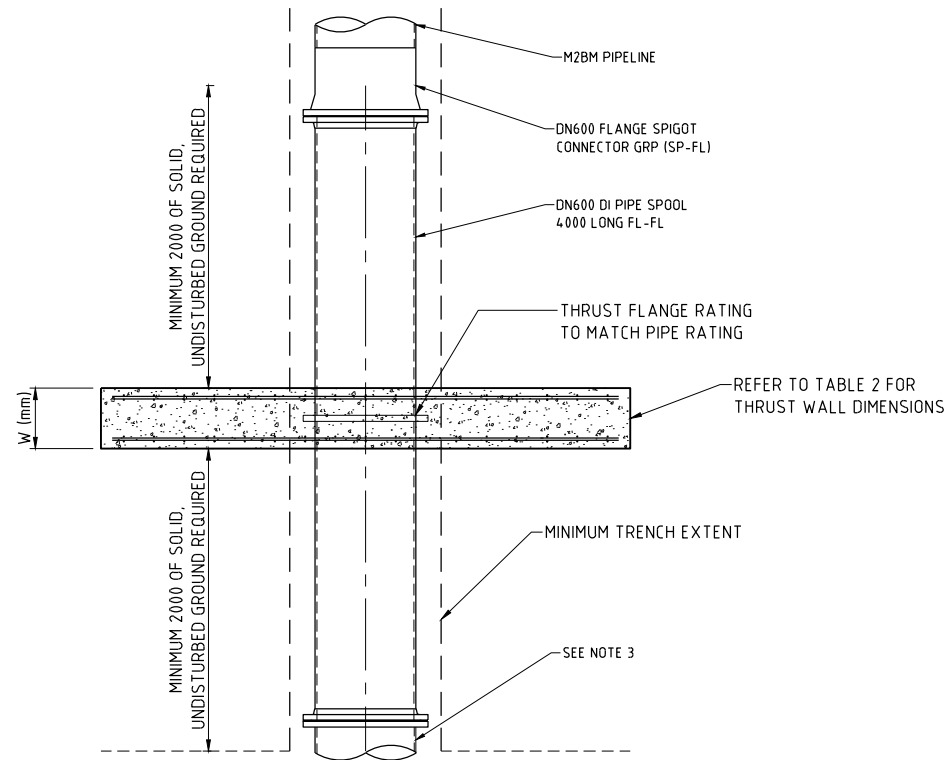


SR140 - MELTON TO BACCHUS MARSH
 ISOLATION VALVE DETAILS

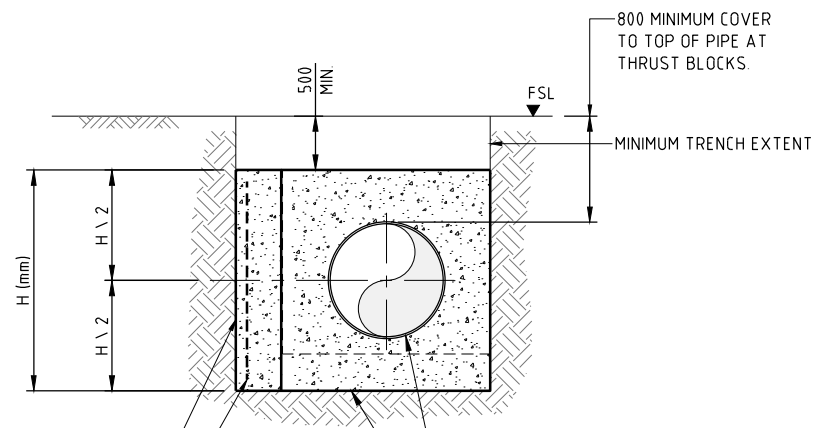
PLAN TYPE:	CIVIL
SCALE:	AS SHOWN
DRAWING NUMBER	
R0583-R-M2BM-0048	T0
NUMERAL	REV



THRUST BLOCK RESTRAINT - PLAN
SCALE: 1:25

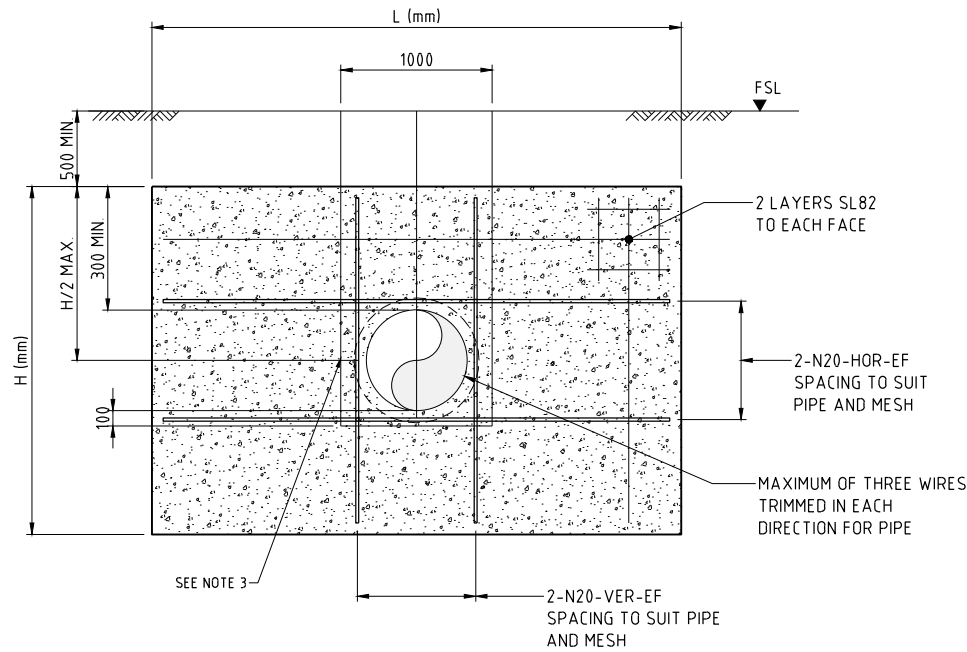


IN-LINE THRUST WALL - PLAN
SCALE 1:25



THRUST RESTRAINT AREA (A m²)
STEEL REINFORCING MESH RL 1118
MAIN BARS HORIZONTAL
50mm MINIMUM, 100 mm MAXIMUM COVER TO OUTSIDE FACE

A SECTION
SCALE: 1:25



IN-LINE THRUST WALL ELEVATION
SCALE 1:25

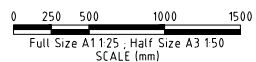
- NOTES:**
- REFER TO DRAWING R0583-R-M2BM-0002 FOR DRAWING LIST AND LEGEND.
 - REFER TO DRAWING R0583-R-M2BM-0002 FOR GENERAL NOTES.
 - REFER TO DRAWING R0583-R-M2BM-0048 FOR ISOLATION VALVE DETAILS.
 - ALLOWABLE SOIL BEARING PRESSURE ASSUMED TO BE 100 kPa. IN-SITU SOIL TESTING TO BE DONE ON SITE TO CONFIRM SOIL BEARING PRESSURE. REFER TO SUPERINTENDENT IF THRUST BLOCK SIZES REQUIRE MODIFICATION.
 - THRUST BLOCK MATERIAL IS TO BE REINFORCED CONCRETE GRADE N25.

TABLE 1 : THRUST BLOCK SCHEDULE

MARK	CHAINAGE (m)	A (m ²)	L (mm)	H (mm)	W (mm)
TB1	77.08	2.67	2110	1270	300
TB2	95.91	2.67	2110	1270	300
TB3	311.88	1.68	1670	1000	300
TB4	404.84	3.34	2360	1420	300
TB5	611.65	1.68	1670	1000	300
TB6	738.80	9.69	4020	2410	300
TB7	767.40	9.69	4020	2410	300

TABLE 2 : THRUST WALL SCHEDULE

MARK	CHAINAGE (m)	A (m ²)	L (mm)	H (mm)	W (mm)
TW1	290.29	8.56	4010	2410	400
TW2	420.62	8.56	4010	2410	400
TW3	584.75	8.56	4010	2410	400
TW4	839.59	8.56	4010	2410	400
TW5	4074.83	6.85	3640	2180	400
TW6	6637.65	5.48	3310	1990	400
TW7	9321.83	5.48	3310	1990	400
TW8	11875.00	5.48	3310	1990	400



WARNING
BEWARE OF UNDERGROUND SERVICES. THE LOCATIONS OF UNDERGROUND SERVICES ARE APPROXIMATE ONLY AND THEIR EXACT POSITION SHOULD BE PROVEN ON SITE. NO GUARANTEE IS GIVEN THAT ALL EXISTING SERVICES ARE SHOWN.

FOR TENDER
NOT FOR CONSTRUCTION

CAD FILE NAME: P:\G8\1583855\CAD\ISSUED-R-M2BM-0049.DWG

REV	ZONE	DESCRIPTION	DATE	APP'D
T0		ISSUED FOR TENDER	12.06.20	DAP

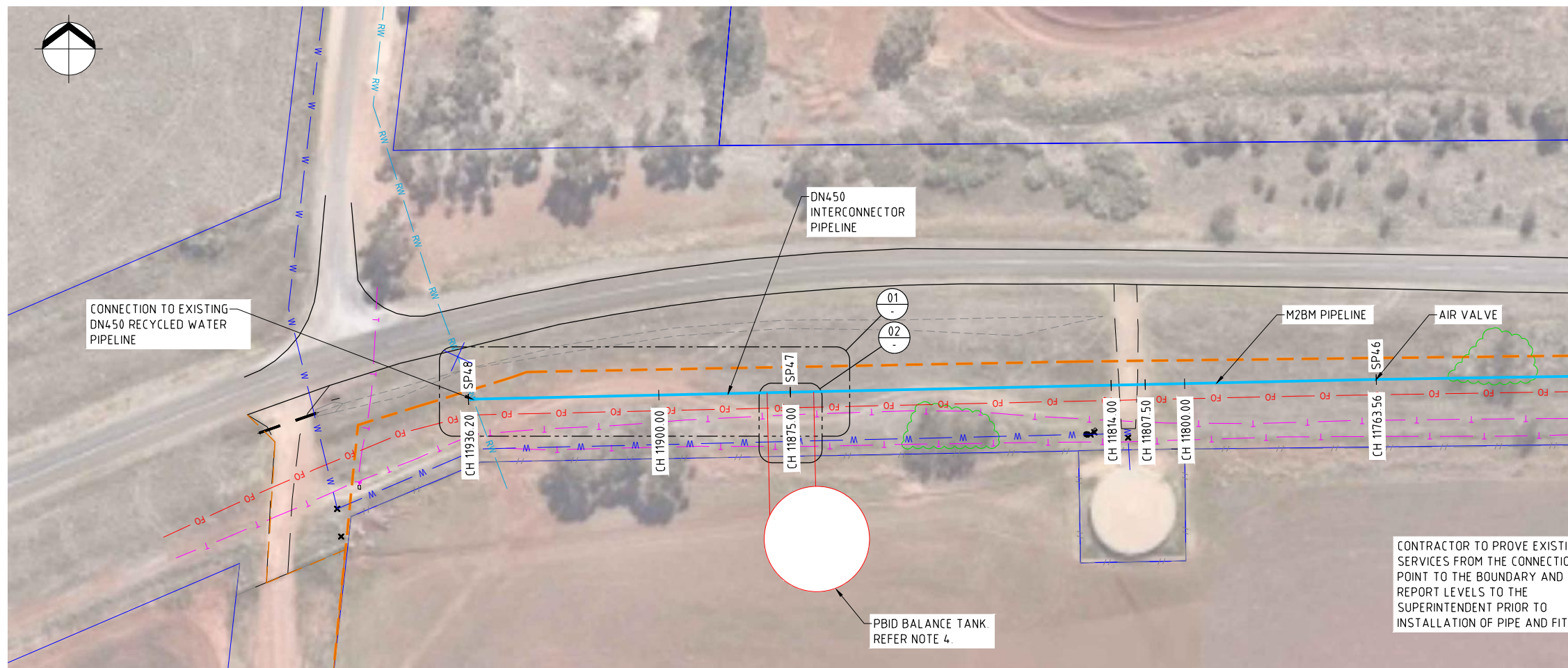


DESIGNED SH	DRAWN SH
DESIGN CHECK PA	DRAFT CHECK AGS
APPROVED DAP	



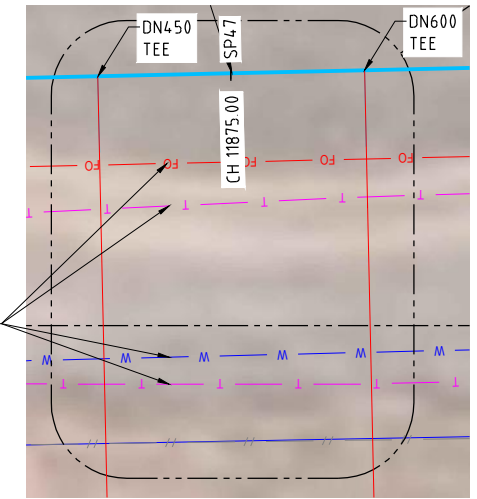
SR140 - MELTON TO BACCHUS MARSH
THRUST BLOCKS AND THRUST WALL DETAILS

PLAN TYPE:	CIVIL
SCALE:	1:25
DRAWING NUMBER	
R0583-R-M2BM-0049	T0
NUMERAL	REV

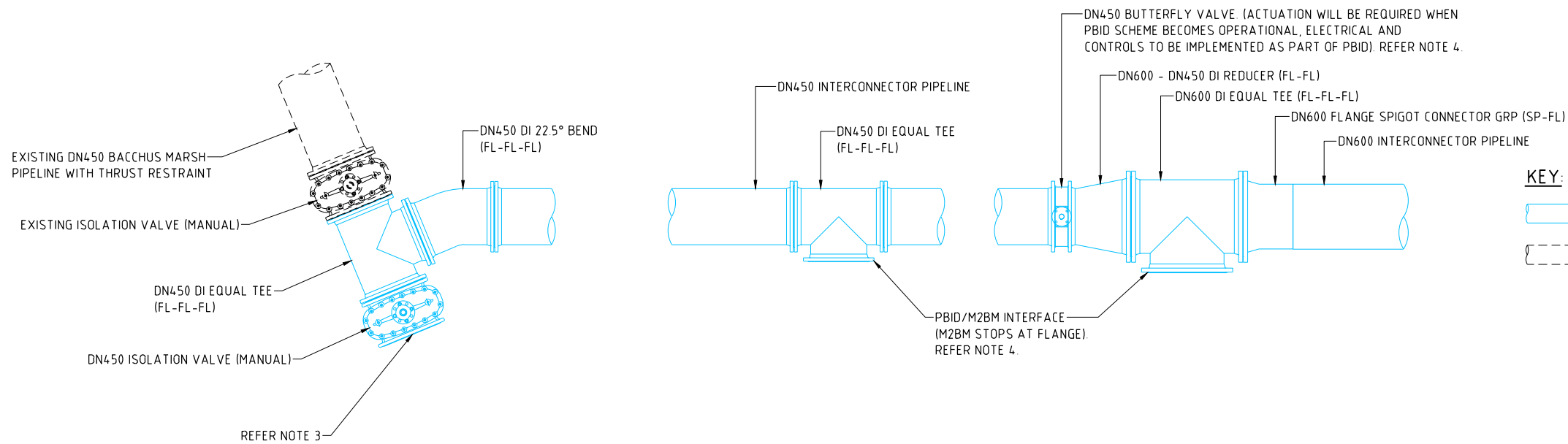


PLAN
SCALE: 1:500

- NOTES:**
1. REFER TO DRAWING R0583-R-M2BM-0002 FOR DRAWING LIST AND LEGEND.
 2. REFER TO DRAWING R0583-R-M2BM-0005 FOR GENERAL NOTES AND SCHEDULES.
 3. CONNECTION TO EXISTING PRIVATELY OWNED IRRIGATION PIPE TYPE AND SIZE TBC ON SITE. RECONNECTION TO BE IN ACCORDANCE WITH OWNER'S REQUIREMENTS.
 4. PBID PROJECT BY OTHERS



02 DETAIL
NOT TO SCALE



KEY:

- M2BM INTERCONNECTOR PIPELINE
- EXISTING IRRIGATION PIPELINE

01 PBID/M2BM CONNECTION DETAIL
SCALE: 1:25

0 5 10 20 30
Full Size A1 1:500 - Half Reduction A3 1:1000
SCALE (m)

0 250 500 1000 1500
Full Size A1 1:25 - Half Size A3 1:50
SCALE (mm)



WARNING
BEWARE OF UNDERGROUND SERVICES. THE LOCATIONS OF UNDERGROUND SERVICES ARE APPROXIMATE ONLY AND THEIR EXACT POSITION SHOULD BE PROVEN ON SITE. NO GUARANTEE IS GIVEN THAT ALL EXISTING SERVICES ARE SHOWN

FOR TENDER
NOT FOR CONSTRUCTION

CAD FILE NAME: \\Beca\NET\PROJECTS\584583652\CAD\R0583-R-M2BM-0050.DWG

DESIGNED	SH	DRAWN	SH
DESIGN CHECK	PA	DRAFT CHECK	AGS
APPROVED	DAP		
ISSUED FOR TENDER	12.06.20	DAP	
REV	ZONE	DESCRIPTION	DATE



DESIGNED	SH
DRAWN	SH
DESIGN CHECK	PA
DRAFT CHECK	AGS
APPROVED	DAP



SR140 - MELTON TO BACCHUS MARSH
CONNECTION DETAIL

PLAN TYPE:	CIVIL
SCALE:	AS SHOWN
DRAWING NUMBER	R0583-R-M2BM-0050
NUMERAL	T0